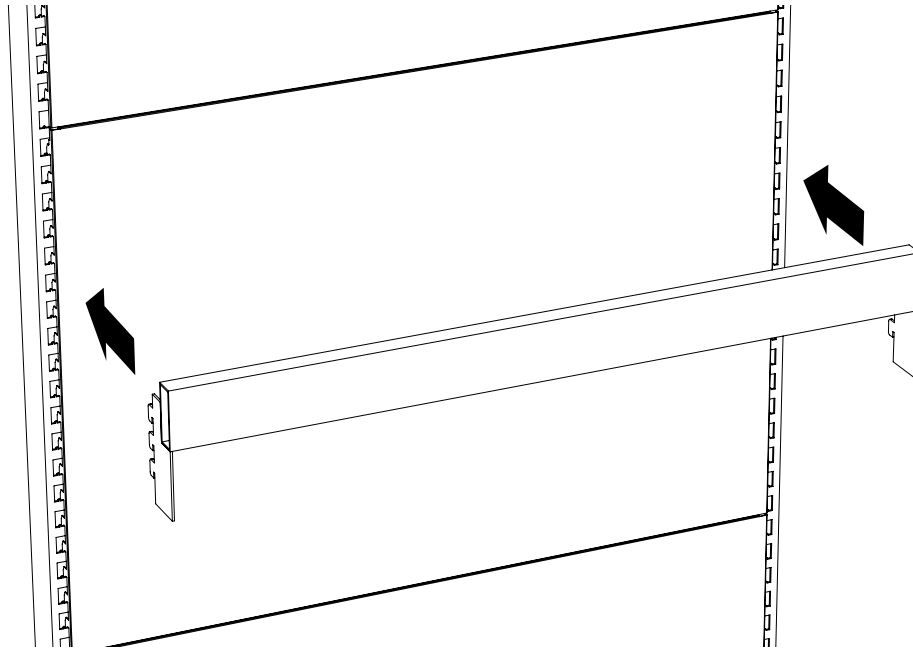


3eBin™ Scoop bin

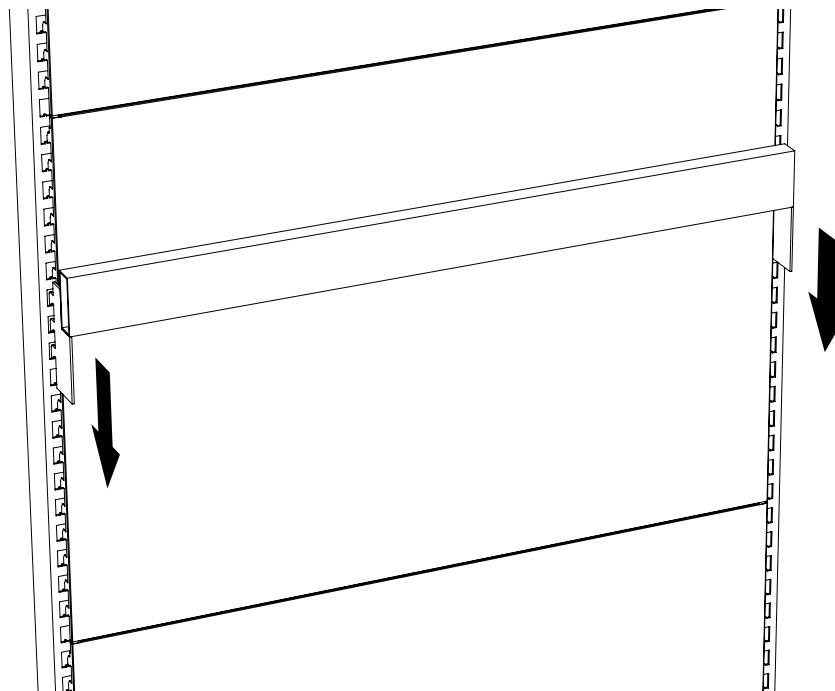
Mounting instruction

3eBin™ – Bracket on crossbar

- 1** Insert cross bar into uprights

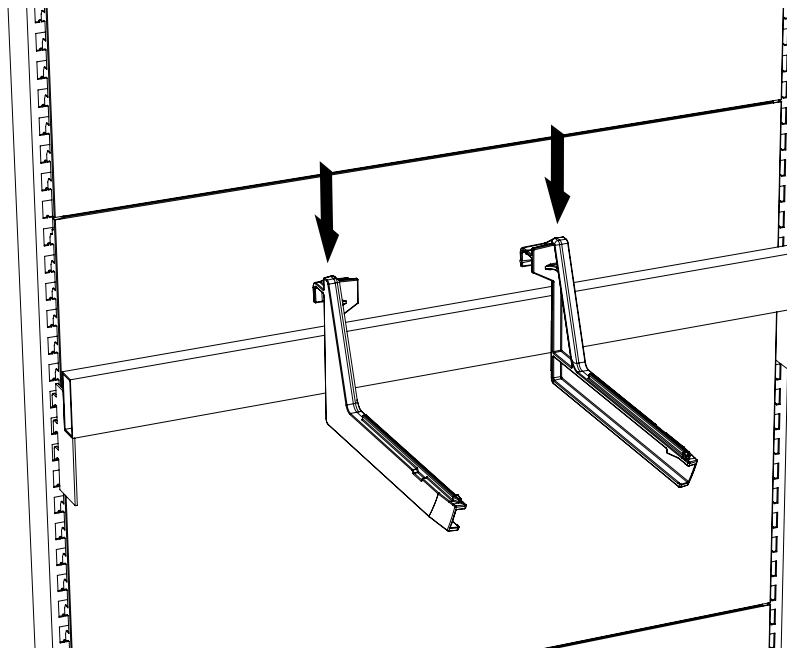


- 2** Ensure that cross bar is securely fixed



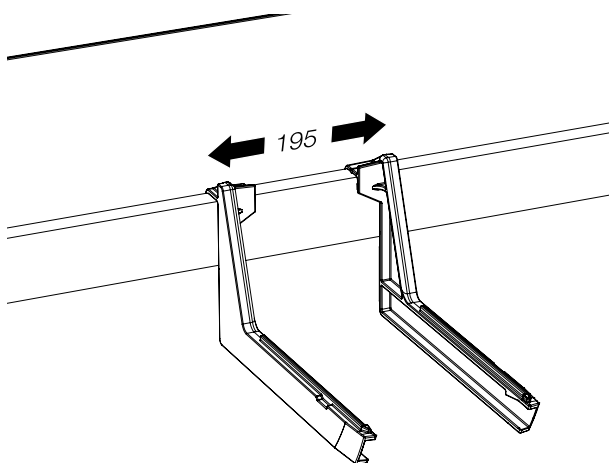
3eBin™ – Bracket on crossbar

3 Attach brackets to cross bar

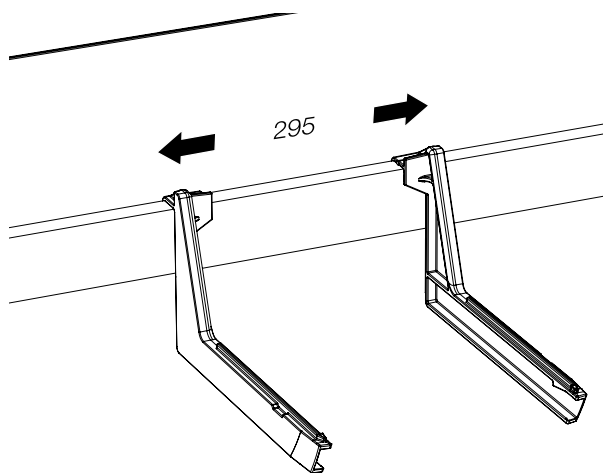


4 Distance in between brackets

SB200

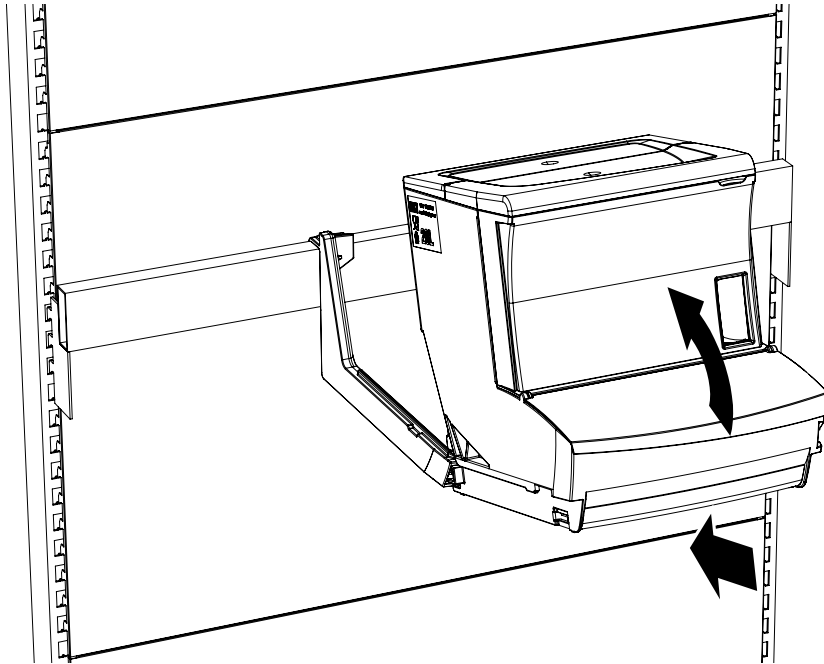


SB300



3eBin™ – Bracket on crossbar

5 Tilt upwards to insert bin into the brackets



6 Tilt downwards and push the bin all the way back

