

GoMix - What is it and how does it work?

Pick & mix display

A COMPLETE SOLUTION AVAILABLE IN WIDTHS 900 MM AND 1200 MM

A waterfall display unit for candy and other pick & mix products, supplied complete with bins already mounted.

The high gondola display can be placed against existing gondolas, walls, or back to back, as desired.

The display holds 15 bins and one bag holder (4x4) in its 900 mm version and 20 bins (4x5) and four narrow bag holders in its 1200 mm version. The display racks include a scrap collector at the base of each rack.

Add on the sign holder 340 mm high with optional light. Finalize with the optional metal side panels to close the section on each side.



Product features

A PROVEN SOLUTION – MORE THAN 1,000 STORES EQUIPPED

- Waterfall display for easy consumer access and maximum visual impact
- Full range of accessories to create an attractive pick & mix display
- Bins pull out for refilling. Easy refill, cleaning and planogram changes
- Soft closing lid prevents lid from falling on consumers hands while shopping
- Integrated sugar tray allows easy removal of excess sugar

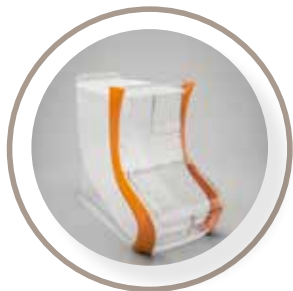


STANDARD BIN FEATURES:

- High quality injection moulded 20 liter bin
- Soft close lid, sugar tray and external label holder
- Standard colour: Orange fins. Other colours on request

GoMix Display 900

GENERAL SPECIFICATIONS FOR GOMIX DISPLAY 900 MM WIDE



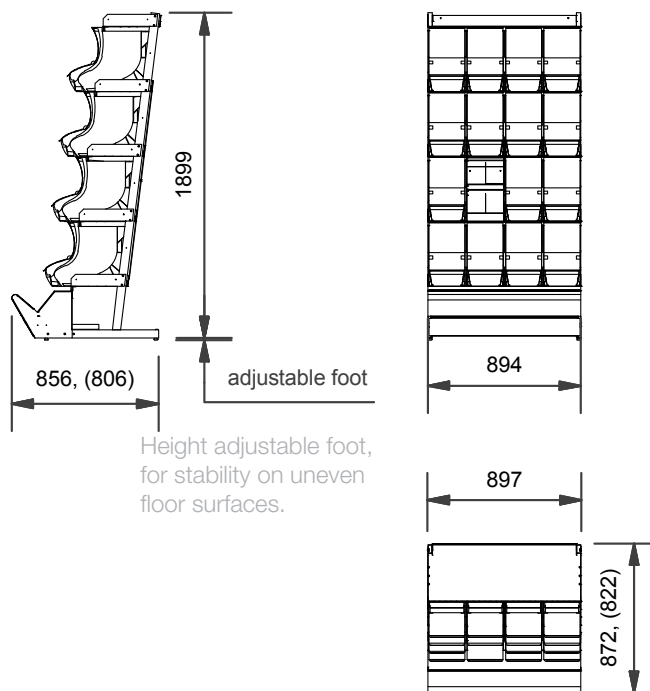
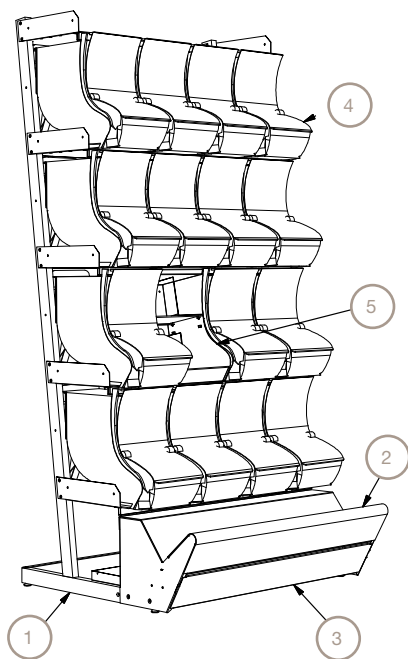
20 LITRE BIN WITH ORANGE DECORATION FINNS



ONE BAG HOLDER INCLUDED IN KIT



15 bins and one bag holder. Sign holder is not included in display KIT.



No	Qty	Item name	Description	Item no
	1	GoMix Display 900 orange KIT	Orange rack including 15 bins. No top sign	552470
1	1	GoMix Base rack 900	Metal construction of five shelves	
2	1	GoMix Spill module orange 900*	Collector unit orange	
3	1	GoMix Spill tray grey 900*	Catch tray	
4	15	SB220 orange	Scoop bin with orange decoration fins	
5	1	GoMix Bag holder 900	Wide bag holder with two levels	

To complete the display, add sign holder, scoop holder, scoop and side panels. See following pages.

*Supplied in separate parcel for mounting in store.

GoMix Display 1200

GENERAL SPECIFICATIONS FOR GOMIX DISPLAY 1200 MM WIDE



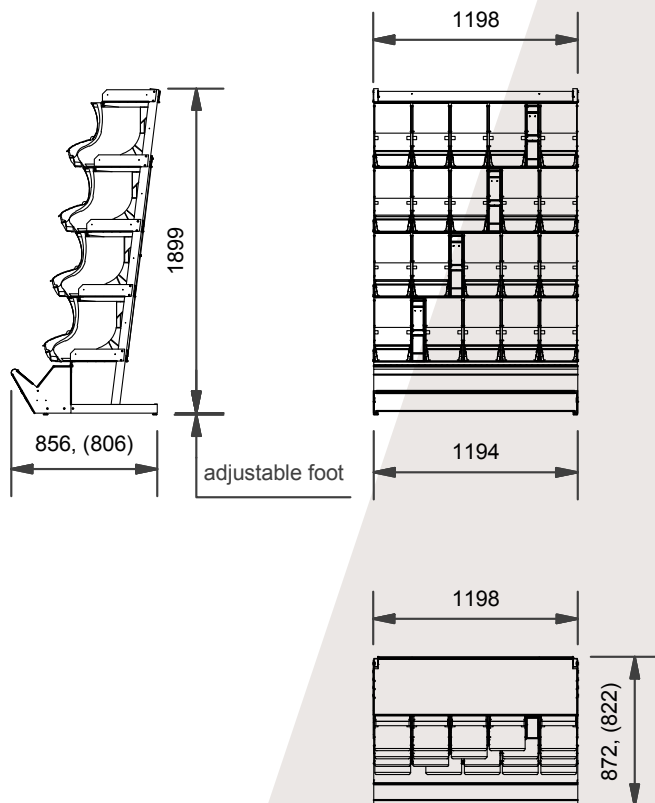
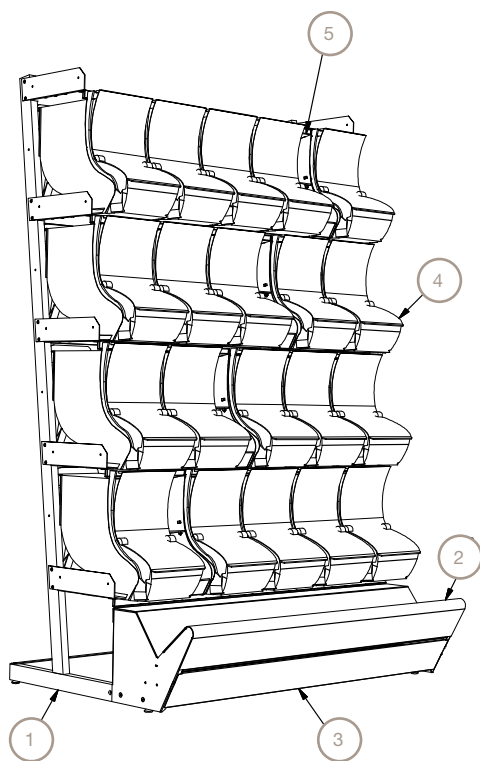
20 LITRE BIN WITH ORANGE DECORATION FINS



NARROW BAG HOLDERS



20 bins. One narrow bag holder on each row. Sign holder is not included in display KIT.



No	Qty	Item name	Description	Item no
	1	GoMix Display 1200 orange KIT	Orange rack including 20 bins. No top sign	552513
1	1	GoMix Base rack 1200	Metal construction of five shelves	
2	1	GoMix Spill module orange 1200*	Collector unit orange	
3	1	GoMix Spill tray grey 1200*	Catch tray	
4	15	SB220 orange	Scoop bin with orange decoration fins	
5	1	GoMix Bag holder 1200	Narrow bag holder with two levels	

To complete the display, add sign holder, scoop holder, scoop and side panels. See following pages.

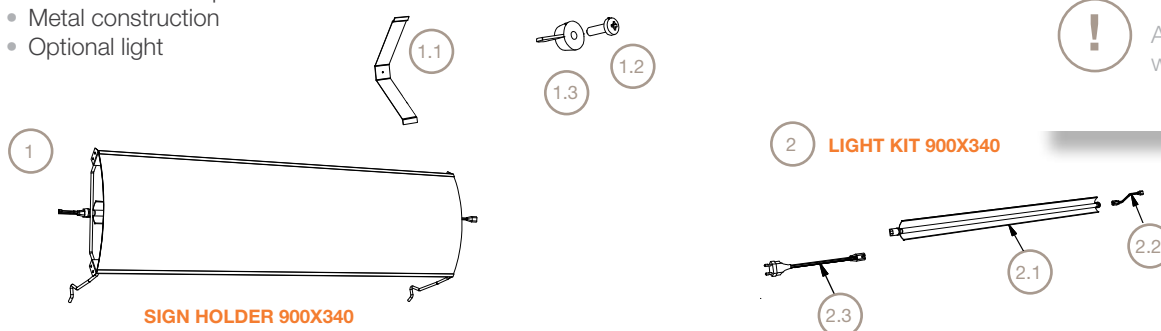
*Supplied in separate parcel for mounting in store.

Sign holder & light kit GoMix 900

- Attaches to the top shelf
- Metal construction
- Optional light



Available with or without light.

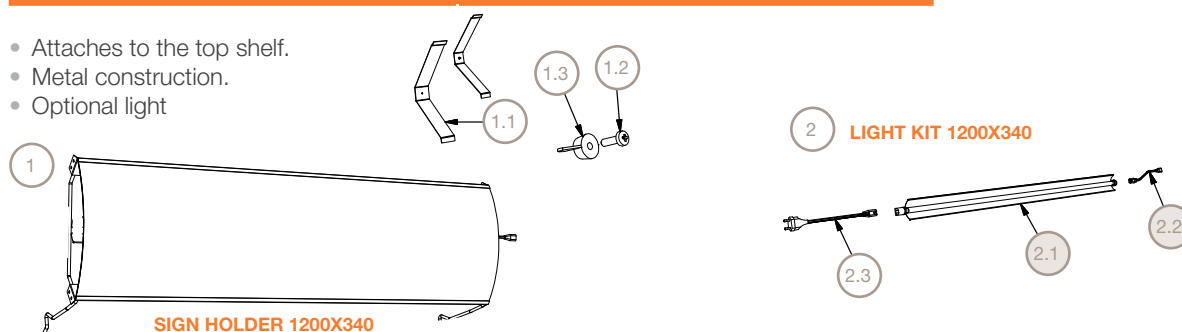


Artwork size for image : 900x340 + 3mm bleed. (Visual area height 320 mm, 10 mm hidden at the top and bottom.)

No	Qty	Item name	Description	Item no
1	1	GoMix 900 Sign Holder KIT	Without light and image	552557
1.1	2	Bracket for lighting kit		
1.2	2	Screw MRX M3x10		
1.3	2	Wing nut		
	1	Plastic sheet transparent		
	1	Plastic sheet opal white		
2	1	GoMix 900 Light KIT	Optional light for sign holder	552591
2.1	1	Fluorescent luminaires with reflector		
2.2	1	Middle connection cable		
2.3	1	Connection cable		

Sign holder & light kit GoMix 1200

- Attaches to the top shelf.
- Metal construction.
- Optional light



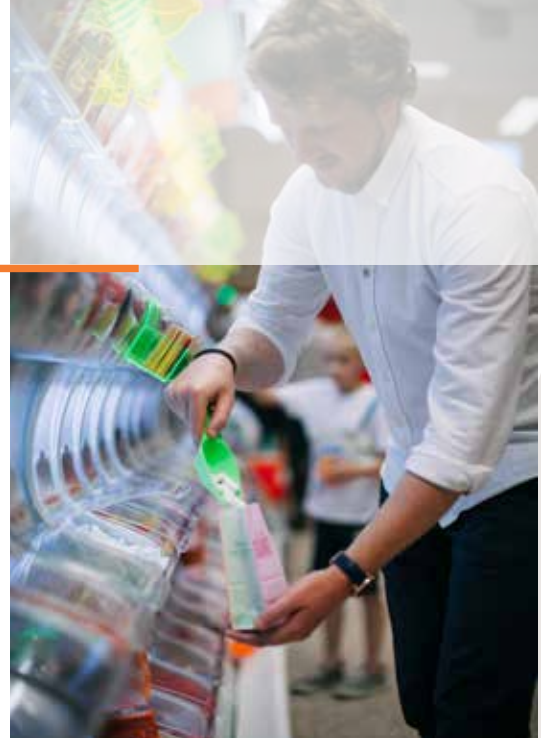
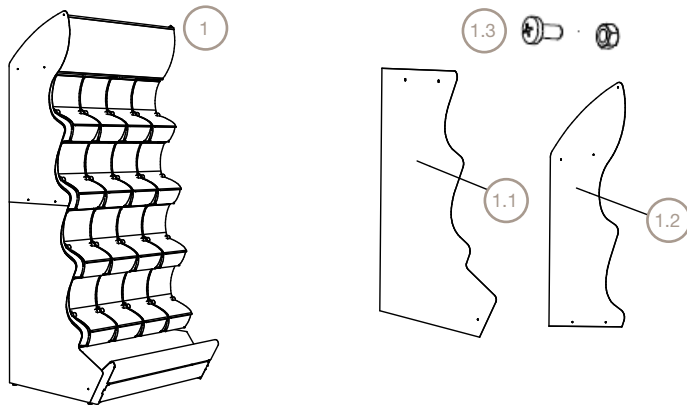
Artwork size for image : 1200x340 +3 mm bleed. (Visual area height 320 mm, 10 mm hidden at the top and bottom.)

No	Qty	item name	Description	Item no
1	1	GoMix 1200 Sign Holder KIT	Without light and image	552593
1.1	2	Bracket for lighting kit		
1.2	2	Screw MRX M3x10		
1.3	2	Wing nut		
	1	Plastic sheet transparent		
	1	Plastic sheet opal white		
2	1	GoMix 1200 Light KIT	Optional light for sign holder	552594
2.1	1	Fluorescent luminaires with reflector		
2.2	1	Middle connection cable		
2.3	1	Connection cable		

Side panel for GoMix

ATTACHED TO THE SIDE OF THE DISPLAY

- Metal construction
- Side panels fit displays with sign holder
- Split in upper and lower part for transport reasons
- Same panel for both left and right side



Side panels should not be used in between sections when several racks are installed next to each other. Only used at each end of the unit.

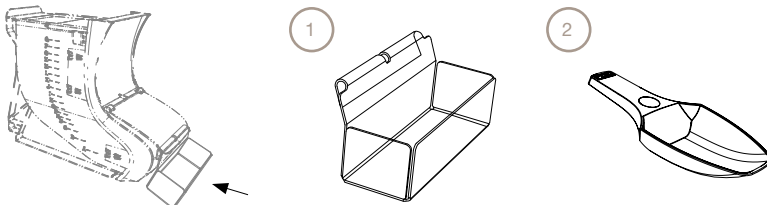
No	Qty	Item name	Item no
1	1	GoMix Side panel Orange 340 KIT	552595
1.1	1	Side panel base part	
1.2	1	Side panel top part	
1.3	1	Screws and bolts	



Spare parts & accessories

SCOOP HOLDER AND SCOOP

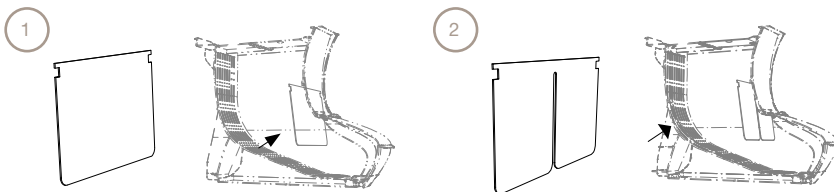
- Holder fixed to the front of the bin creates a dedicated space for scoops. Snaps over the lower front of the bin
- Scoop volume is approximately 0.1 L



No	Item name	Colour	Item no
1	GoMix scoop holder TR	Transparent	554664
2	Scoop	Transparent	787059

SHUTTERS

- The shutter prevents overflowing of fast flowing products like chocolate lentils. Snaps into slots behind label holder. Two versions, depending if a divider is used or not.



No	Item name	Description	Size	Item no
1	SB220 Shutter 193x136 TR	Shutter for bins without divider	193x136x1,5	554606
2	SB220 Shutter Half bins TR	Shutter for bins with divider	193x136x1,5	554607

DECORATION FINNS

- Supplied in pairs
- Attaches to the sides of the bin for added visibility
- MOQ for non standard colour: 500 pairs



Item name	Description	Item no
SB220-SidePanels coY50 CK	Decoration fins pair in orange	891177

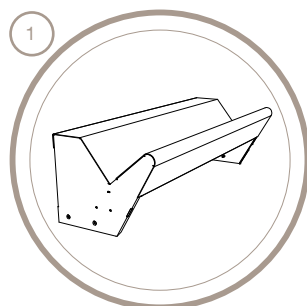
Spare parts & accessories

SCRAP COLLECTOR

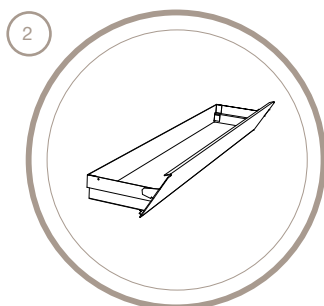
- Metal construction
- Fixed to the base of the rack
- Two possible depth positions. The outer position is recommended, if the store has available space.
- Total depth of the rack with collector is 85 cm in outer position and 80 cm in inner position.



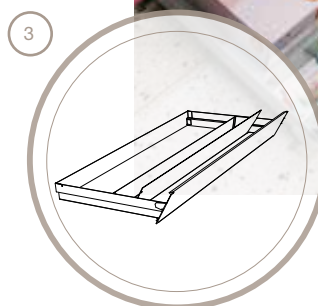
Scrap collector at the base of each rack.



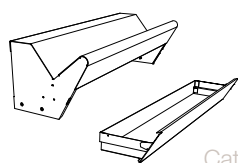
COLLECTOR UNIT



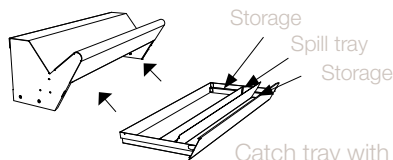
CATCH TRAY



CATCH TRAY WITH STORAGE BOX



Catch Tray



Catch tray with storage box



Collector unit in colour - catch tray in grey. The catch tray is a drawer that fits into the collector unit

No	Item name	Description	Size (mm)	Colour	Item no
1	GoMix Spill Module Orange 900mm	Collector unit	898	Orange	554565
	GoMix Spill Module Orange 1200mm	Collector unit	1200	Orange	554567
2	GoMix Spill Tray 900mm	Catch tray	890	Grey	554569
	GoMix Spill Tray 1200mm	Catch tray	1200	Grey	554568
3	GoMix Storage box with insert 900mm	Catch tray with storage box	890	Grey	554556
	GoMix Storage box with insert 1200mm	Catch tray with storage box	1200	Grey	554560

BAG HOLDERS

- Bag holder with two levels
- Each bag holder contains two slots
- Provides a place to neatly store bags



NARROW FOR 1200 RACKS



WIDE FOR 900 RACKS



No	Item name	Description	Size (Width x Height x Depth)	Item no
1	GoMix Bag holder 1200	Narrow bag holder with two levels	75x350x500 mm	554572
2	GoMix Bag holder 900	Wide bag holder with two levels	220x350x500 mm	554573

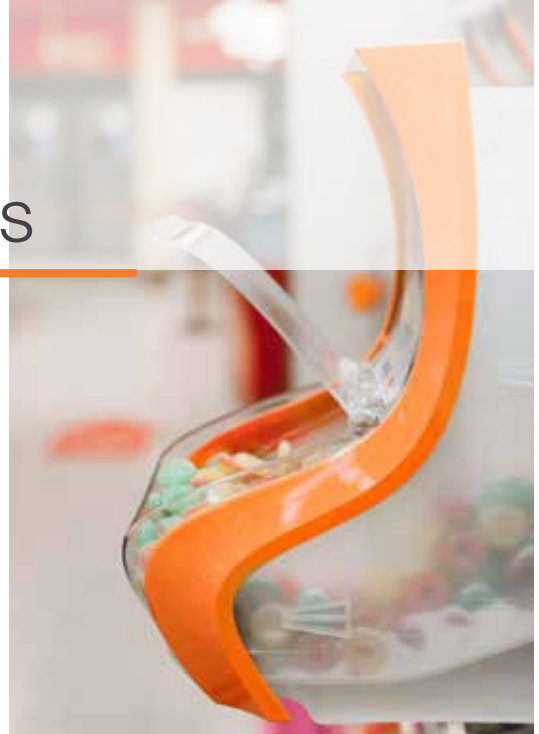
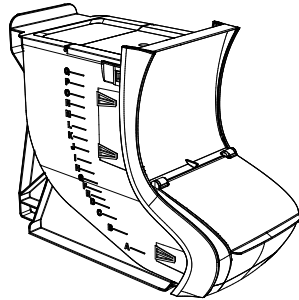
Spare parts & accessories

SCOOP BIN 20 LITRE

- 20 liter scoop bin with soft close, bin body in milky PP, bin front in transparent PET.
- External label pocket on bin front.
- Supplied with sugar tray.
- Gauge on the side of the bin to verify how much is left (approximately one litre for each letter on the scale).
- Customizable through decoration fins.
- Size for label is 175x171 mm

SCOOP BIN SIZE

Height: 374 mm
Depth: 505,5 mm
Width: 222 mm



Durable with consumer lid that does not scratch. Premium experience. Facing modularity.



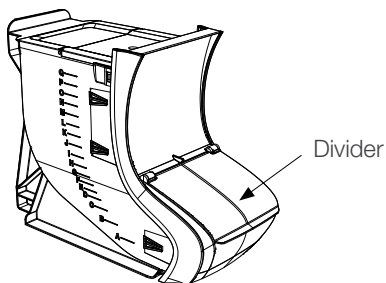
Each bin has a security stop when pulled out. Tilt and lift to remove from the rack.

No	Qty	Item name	Description	Item no
1	1	SB220 orange	Scoop bin with orange* decoration fin**	554651
2	1	SB220	Scoop bin without decoration fin	888361

* Standard colour **Scoop bins with fins included in GoMix Display 900 and 1200 racks

SCOOP BIN 20 LITRE WITH DIVIDER

- Same features as for SB220
- Middle divider creates two compartments of 10 litre each



1 ORANGE DECORATION FIN



2 NO DECORATION FIN

No	Qty	item name	Description	Item no
1	1	SB220 split orange	Scoop bin with orange fin* and divider	554652
2	1	SB220 split	Scoop bin without decoration fin and with divider	894943

* Standard colour



Integrated sugar tray.



Bins are pulled out for easy refill, cleaning and planogram changes.

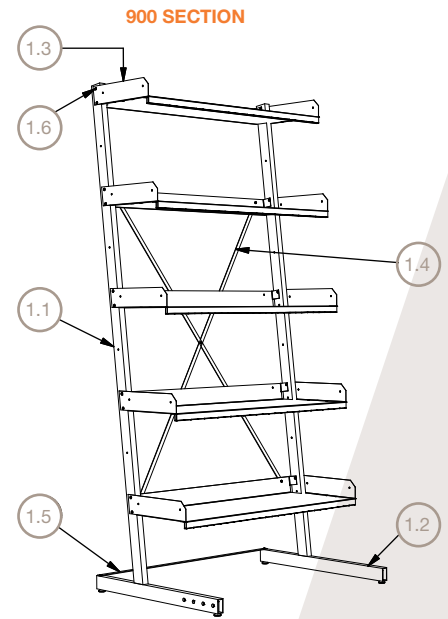
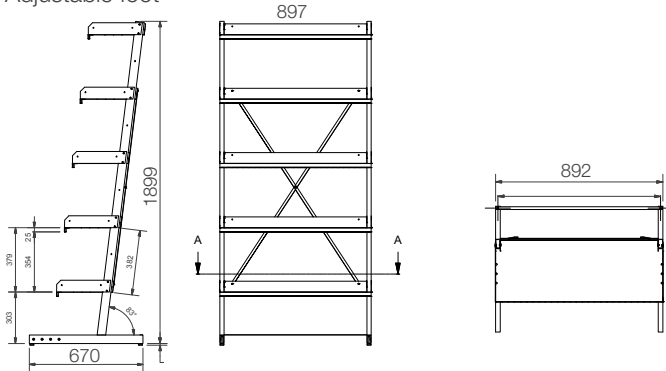


Integrated label holder.

Base racks measurements

BASE RACK 900

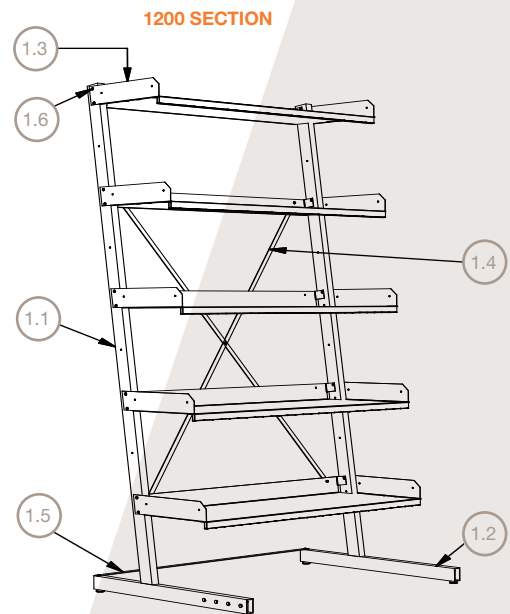
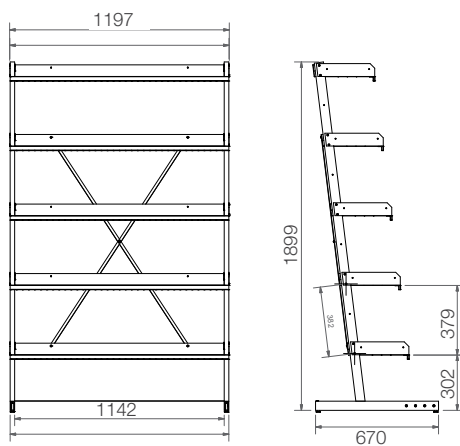
- Metal construction
- 5 shelves – top shelf used for the top sign, 4 shelves with bins
- Adjustable foot



No	Qty	Item name	Measurements (mm)	Item no
1	1	GoMix Base rack 900	1899x670x897	554574
1.1	1	Upright left	1899x670x25	-
1.2	1	Upright right	1899x670x25	-
1.3	5	Shelf box in front	894x338x95	-
1.4	2	X-Support	1388x15x2	-
1.5	1	Width fixation support	887x15x2	-
1.6	37	Rivets	-	-

BASE RACK 1200

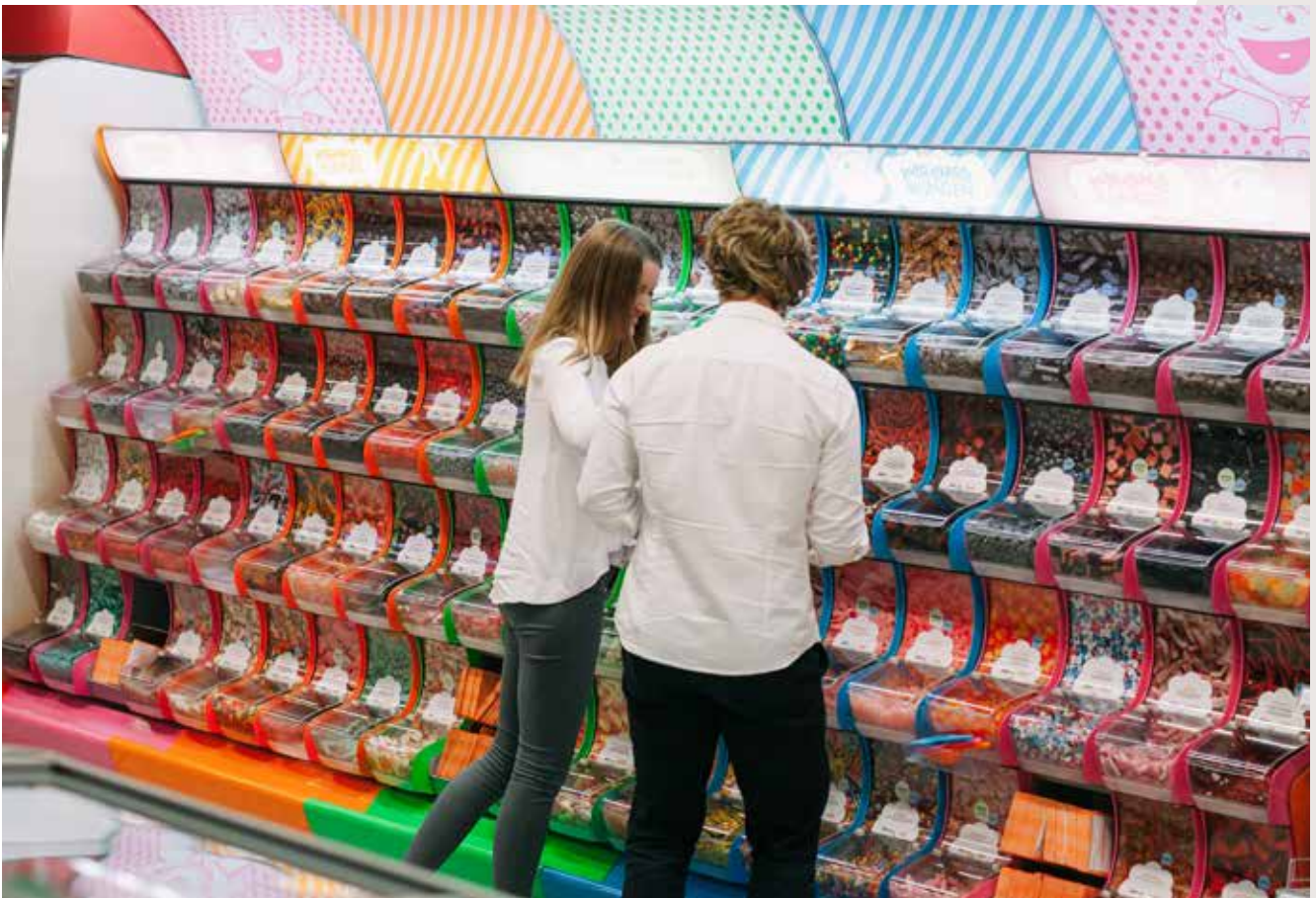
- Metal construction
- 5 shelves – top shelf used for the top sign, 4 shelves with bins
- Adjustable foot



No	Qty	Item name	Measurements (mm)	Item no
1	1	GoMix Base rack 1200	1899x670x1197	554575
1.1	1	Upright left	1899x670x25	-
1.2	1	Upright right	1899x670x25	-
1.3	5	Shelf box in front	1195x338x95	-
1.4	2	X-Support	1388x15x2	-
1.5	1	Width fixation support	1187x15x2	-
1.6	37	Rivets	-	-

GoMix - A waterfall display for easy consumer access and maximum visual impact

GoMix is a proven solution installed in more than 1000 stores.
A display unit for candy and other pick & mix products,
supplied complete with bins already mounted.



© HL Display - MERC0817AB37 - Edition 2/2018