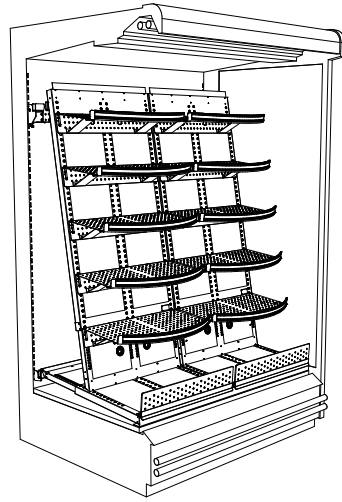
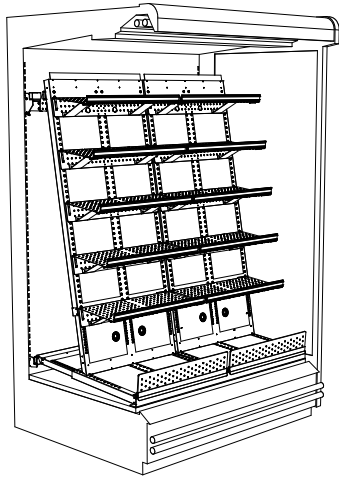


Sigma™

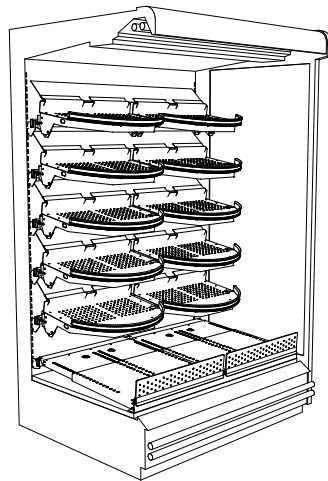
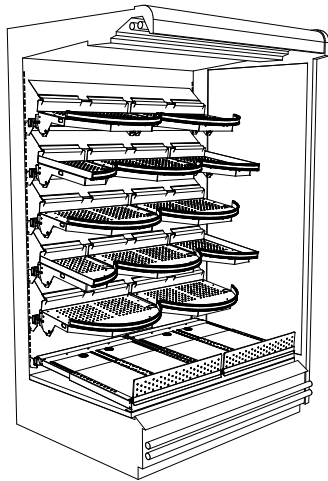
Mounting instruction for vertical sets,
pod sets and straight shelves

Sigma™ - Three types of kits

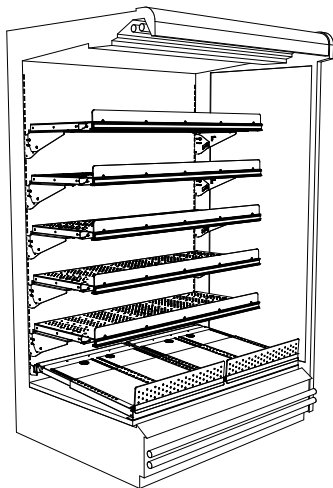
Vertical sets – straight and curved



Pod sets – Half and Half & Quarter

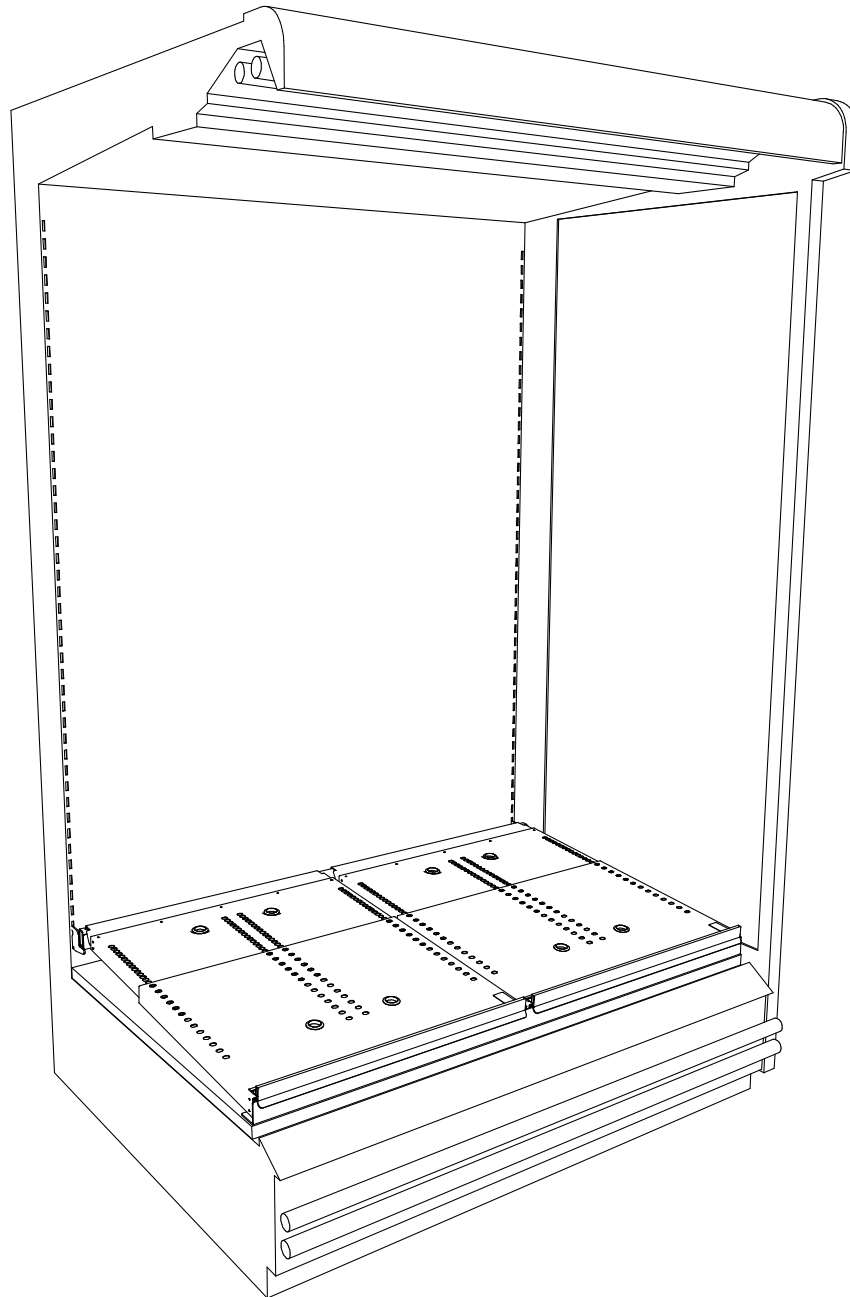


Straight shelves



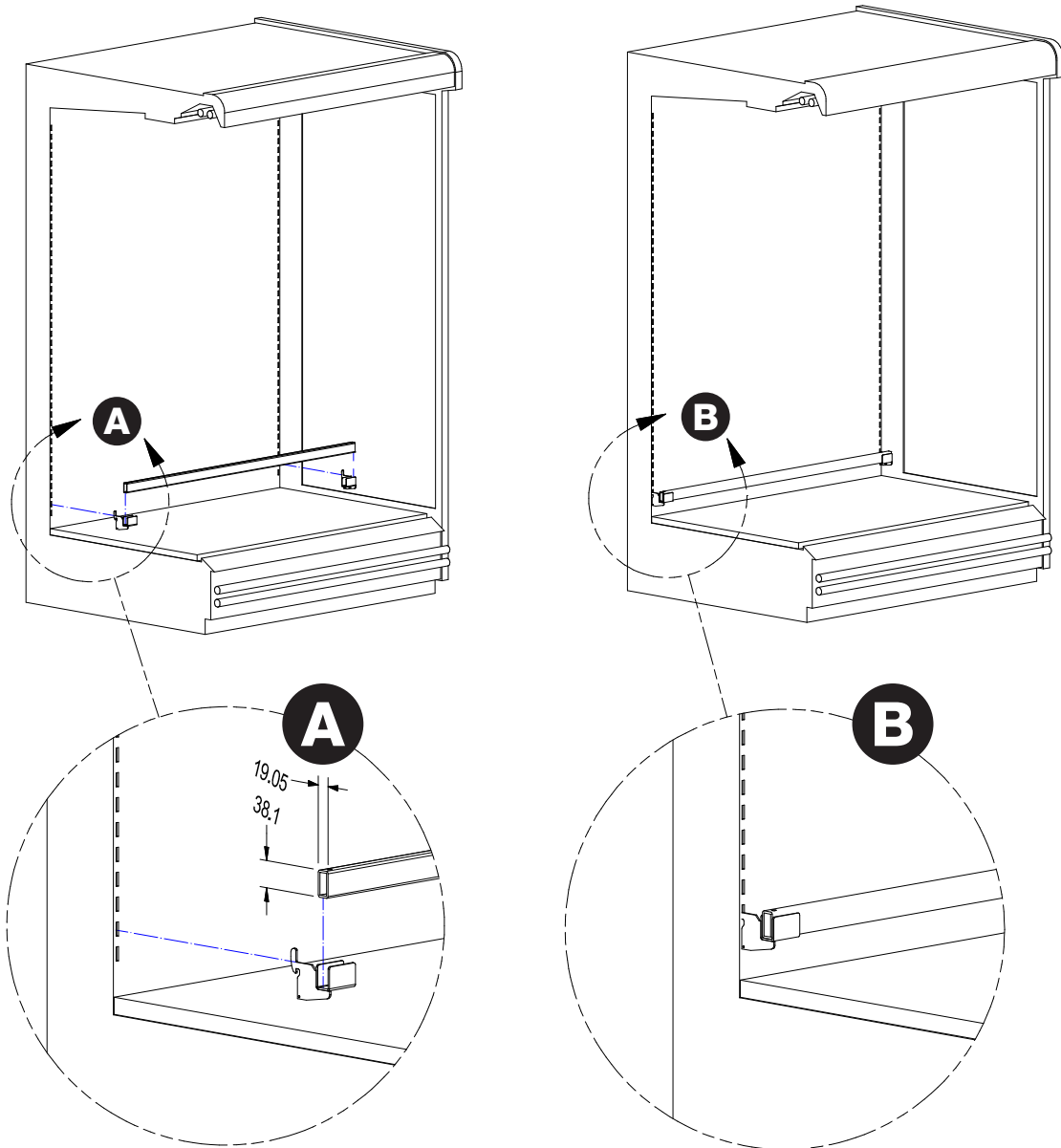
Sigma™ - Pinless base rack

Start with building the pinless base rack, all section kits have this.



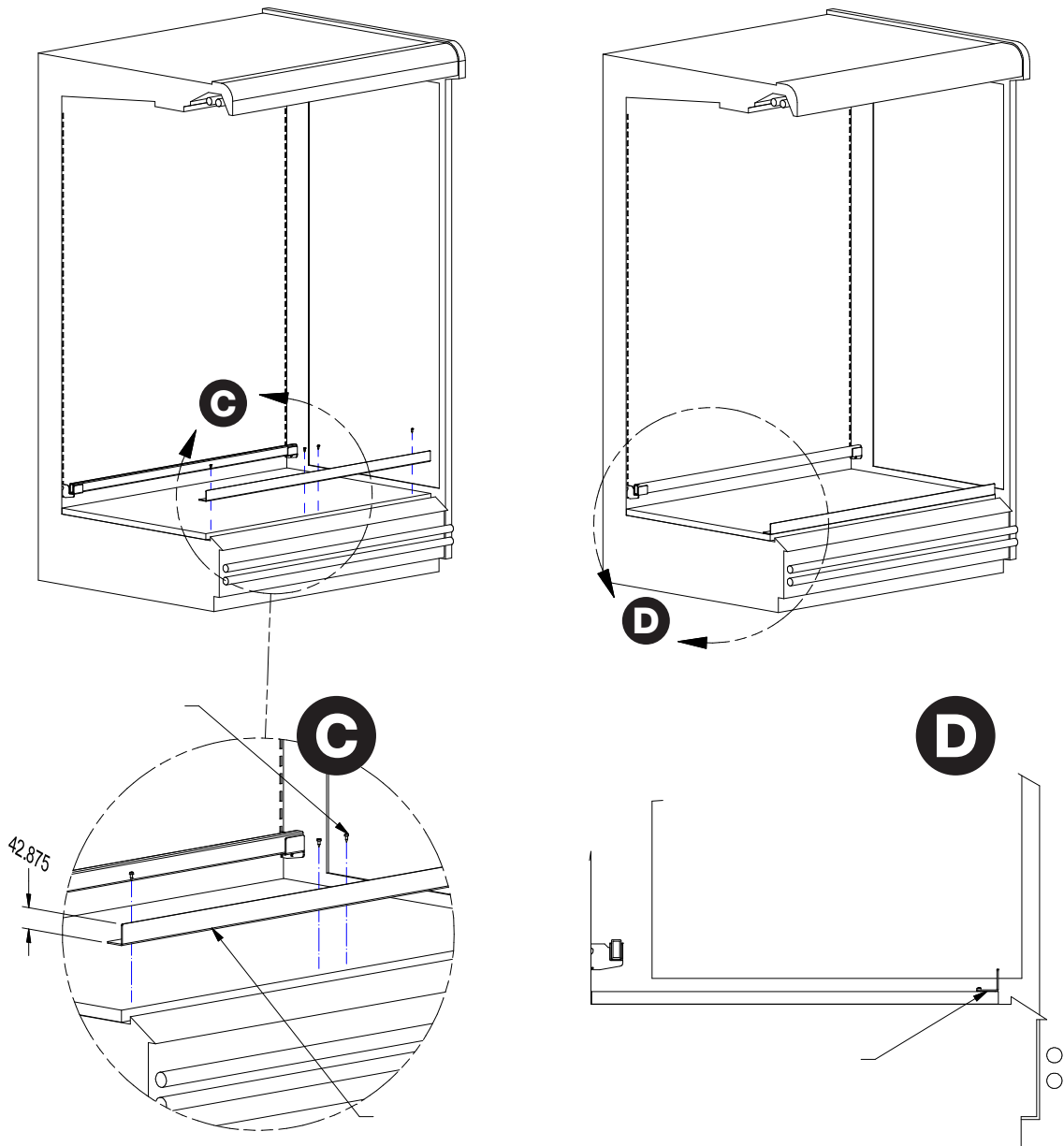
Sigma™ - Pinless base rack

1 Fit cross bar



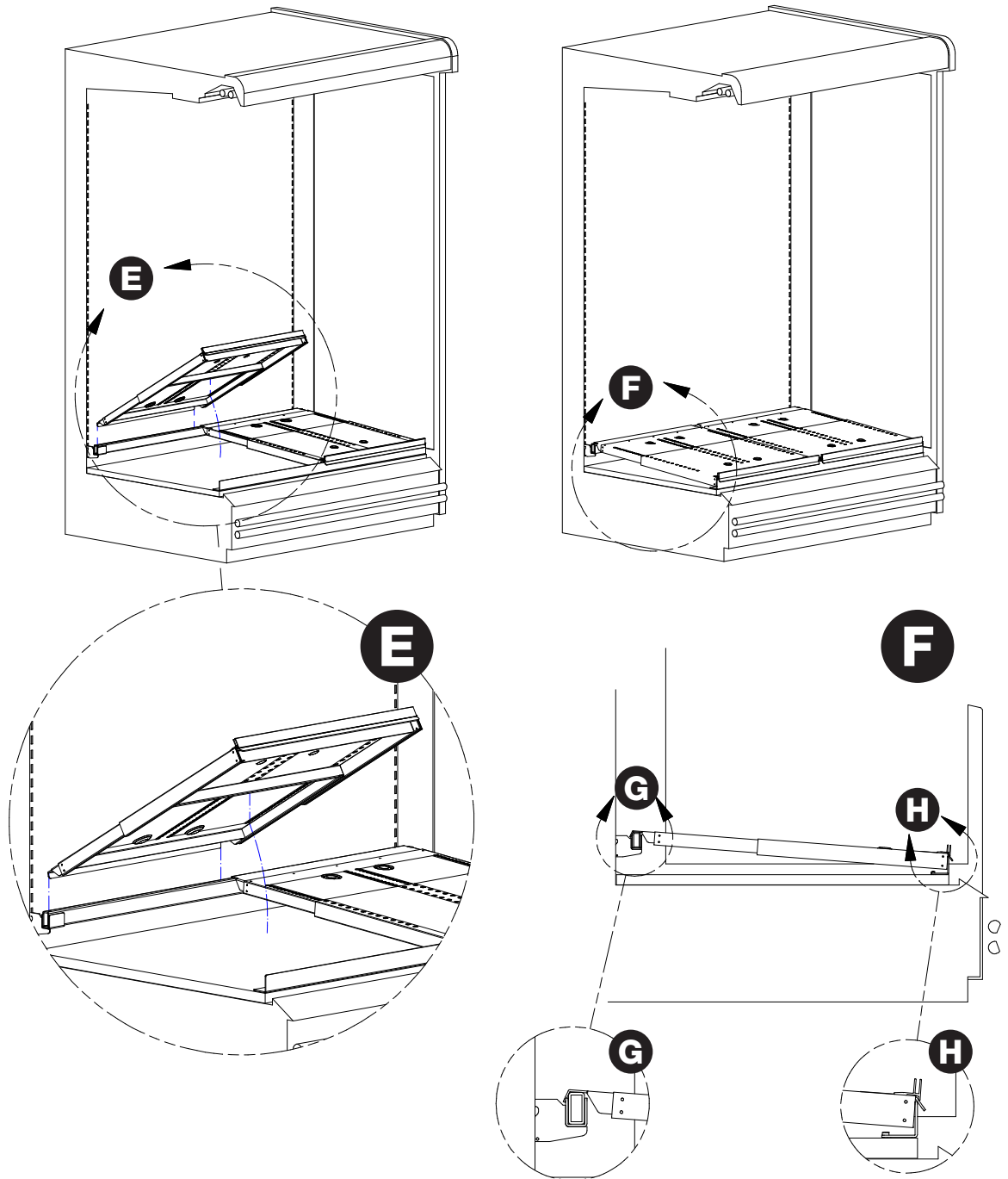
Sigma™ - Pinless base rack

2 Fit front mounting channel



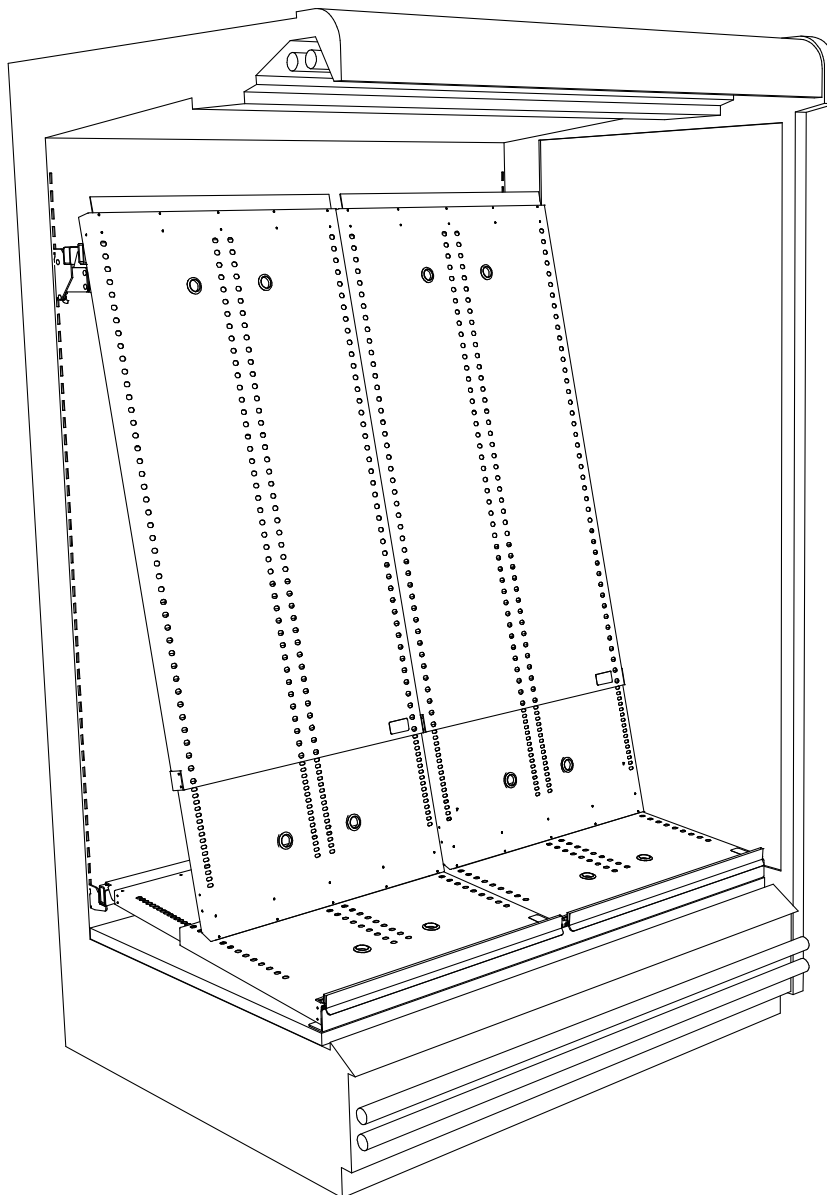
Sigma™ - Pinless base rack

3 Place pinless base racks



Continue for **vertical sets** on next page. Goto page 14 for **straight shelves** or page 18 for **pods**

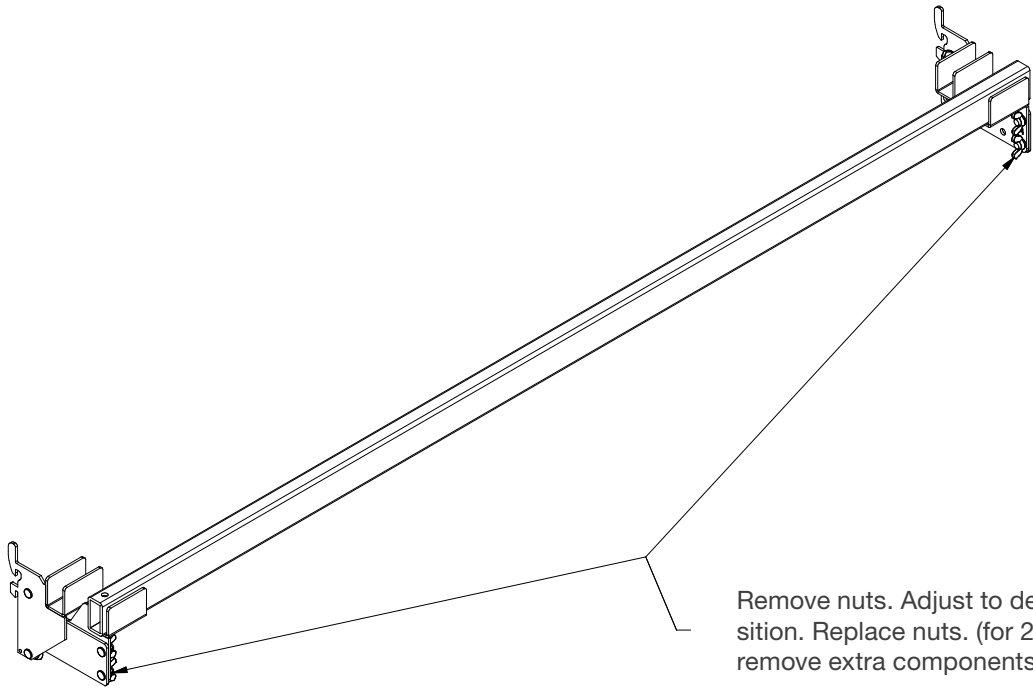
Sigma™ - Vertical sets, back rack



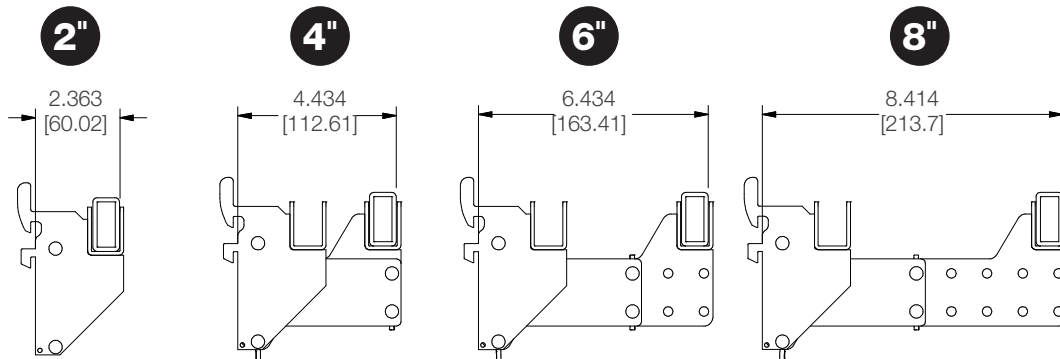
Sigma™ - Vertical sets

1

Adjust bar for vertical sets

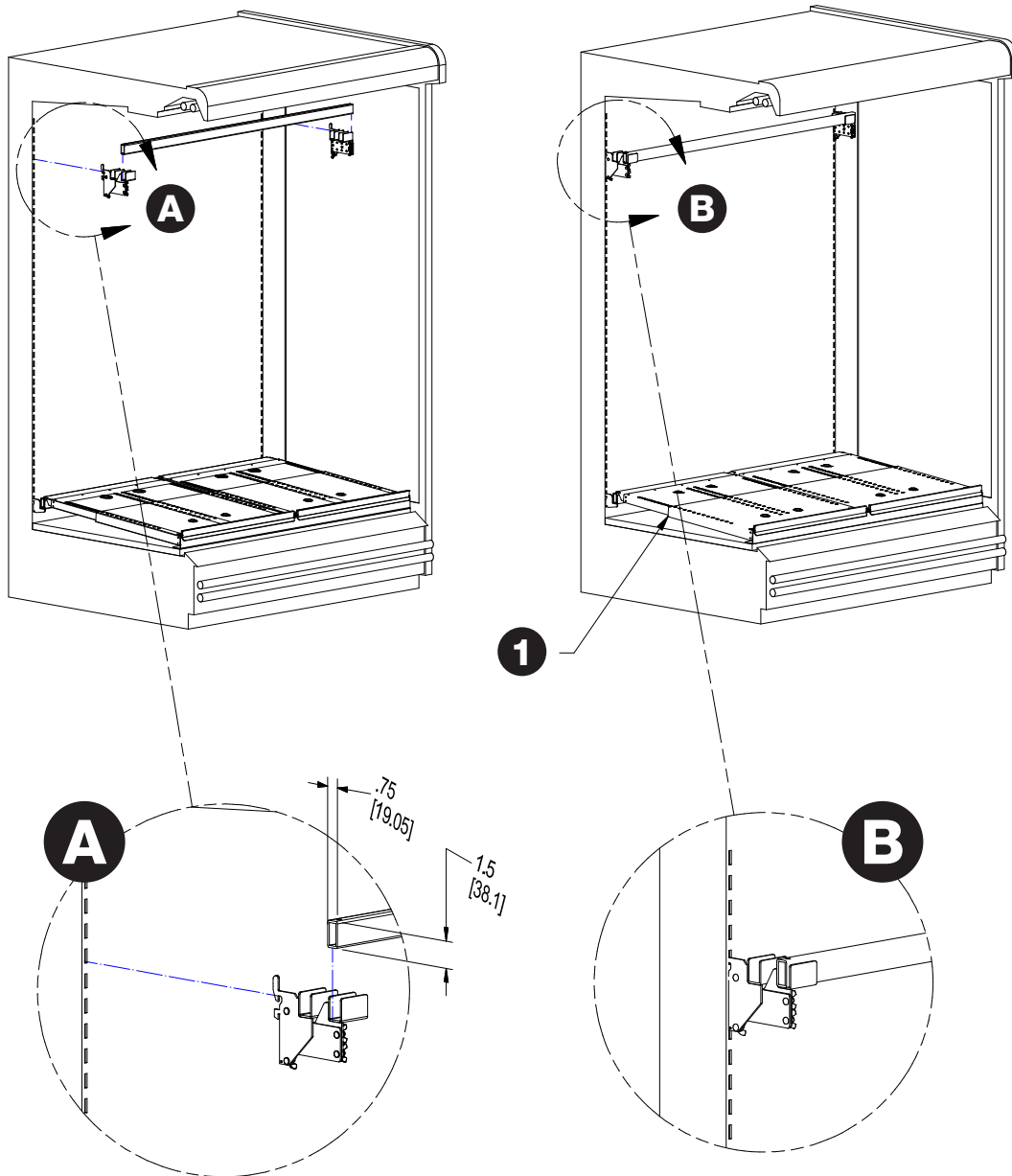


Adjustable mounting bar kit



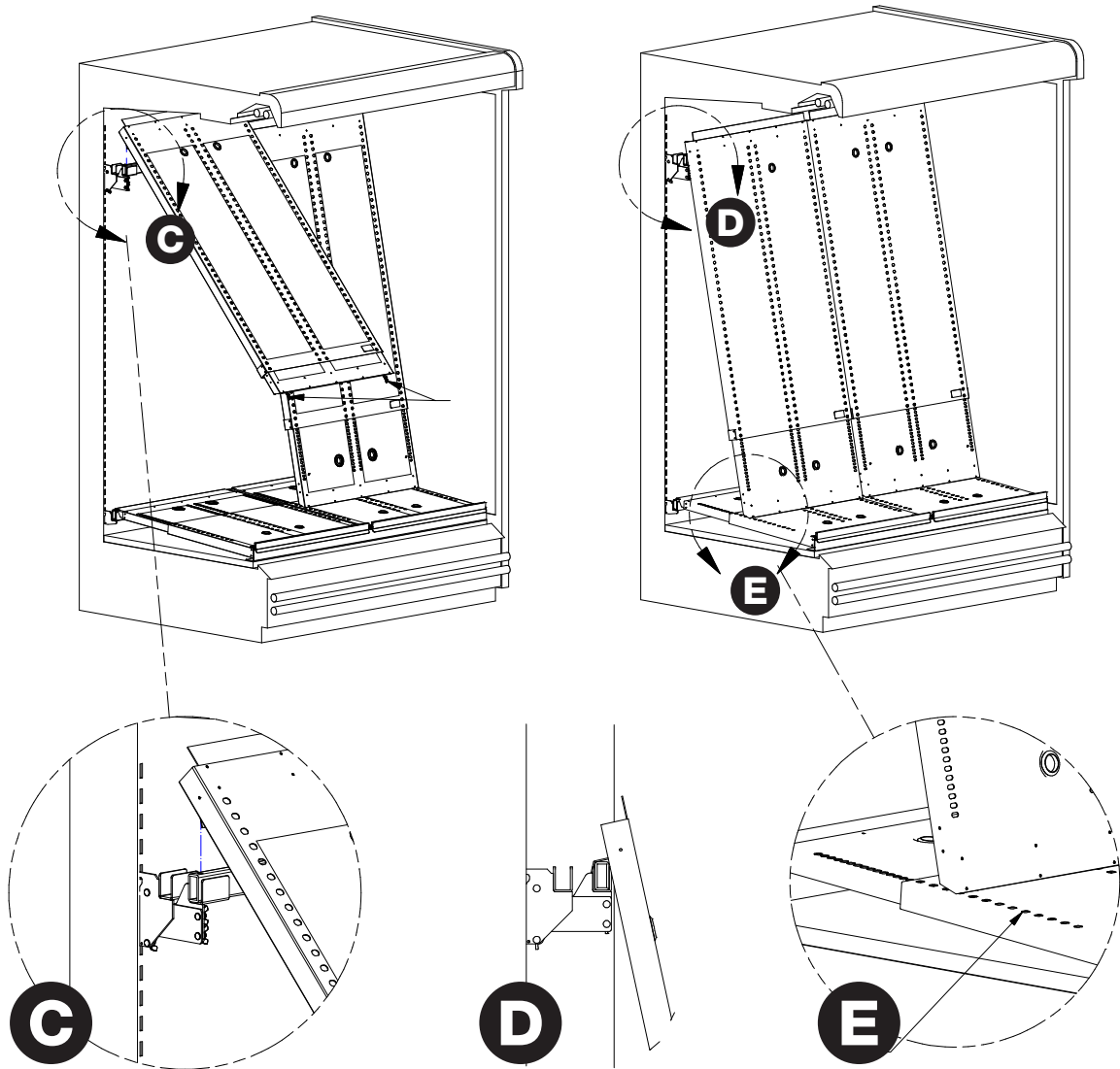
Sigma™ - Vertical sets

2 Fit top cross bar



Sigma™ - Vertical sets

3 Place back racks



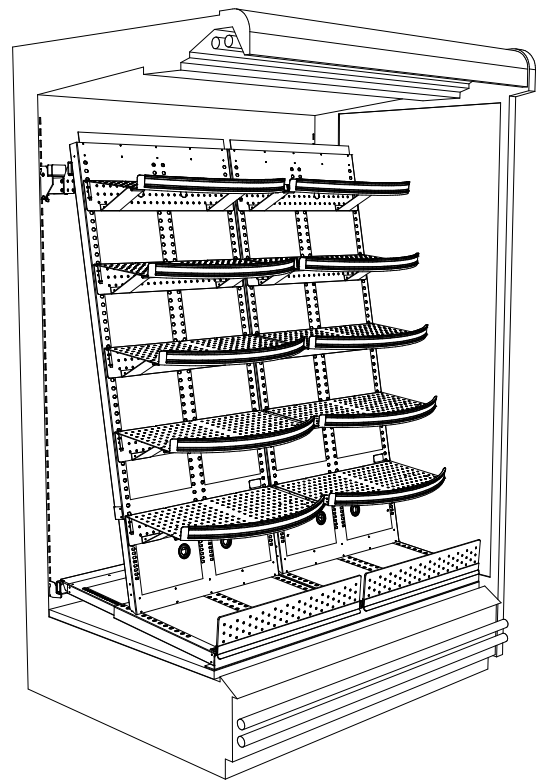
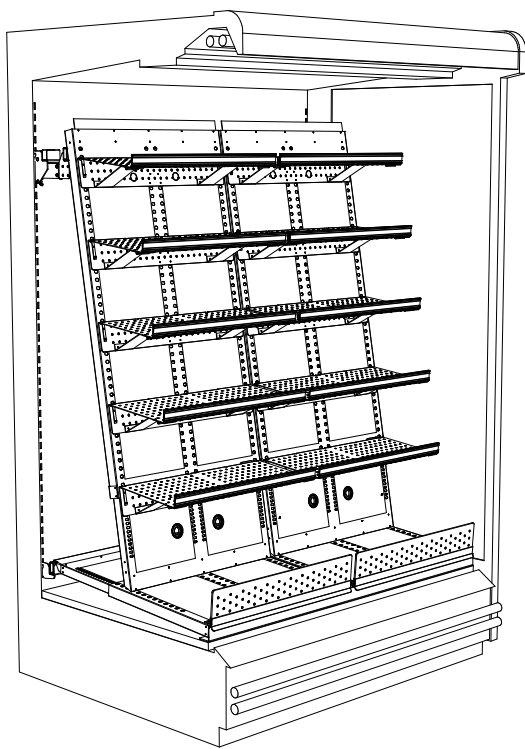
Top of rack rests on cross bar

Ensure flush

Bottom pins locate in slots

Sigma™ - Vertical sets

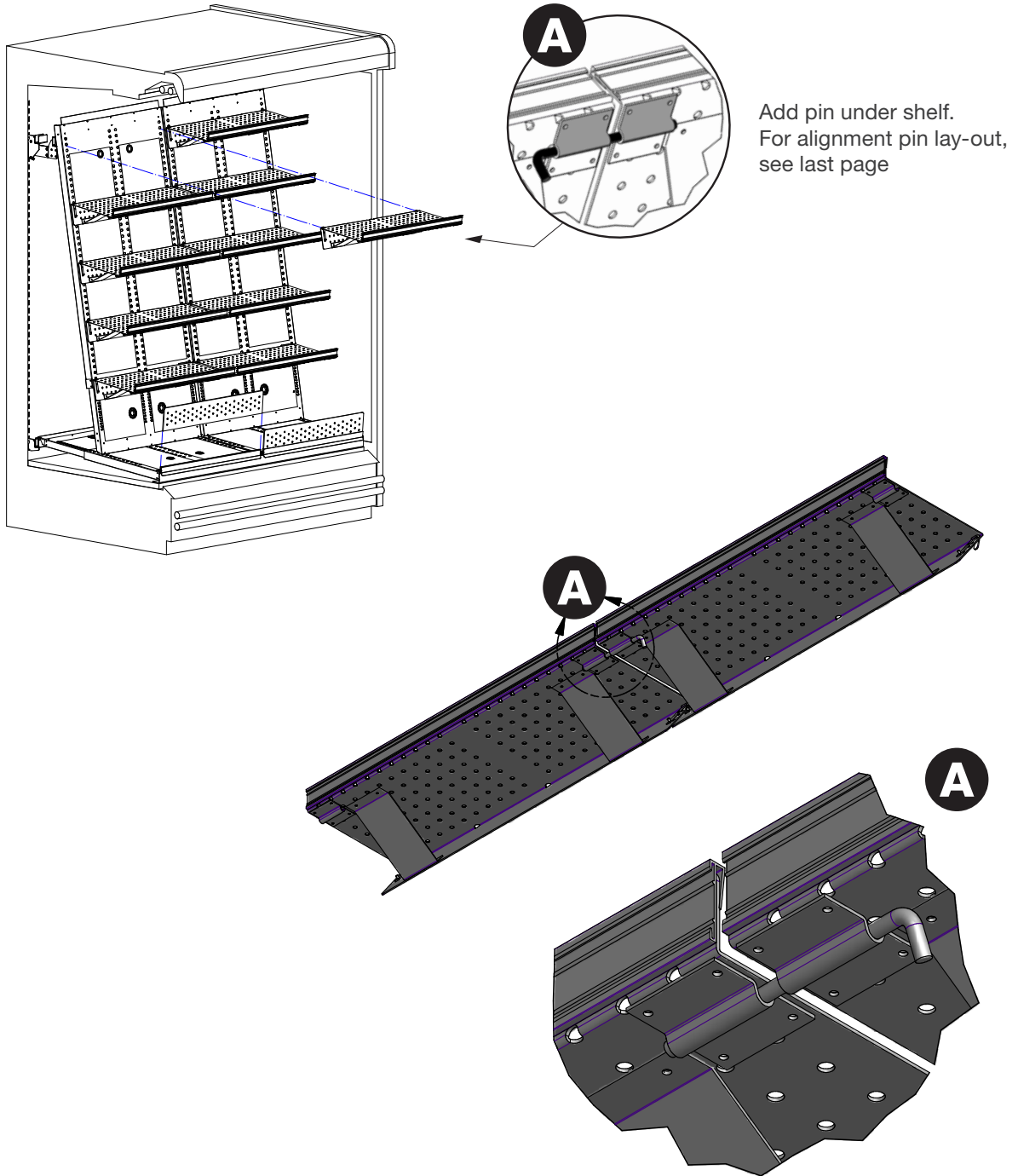
Fitting straight or curved shelves for vertical set



Sigma™ - Vertical sets

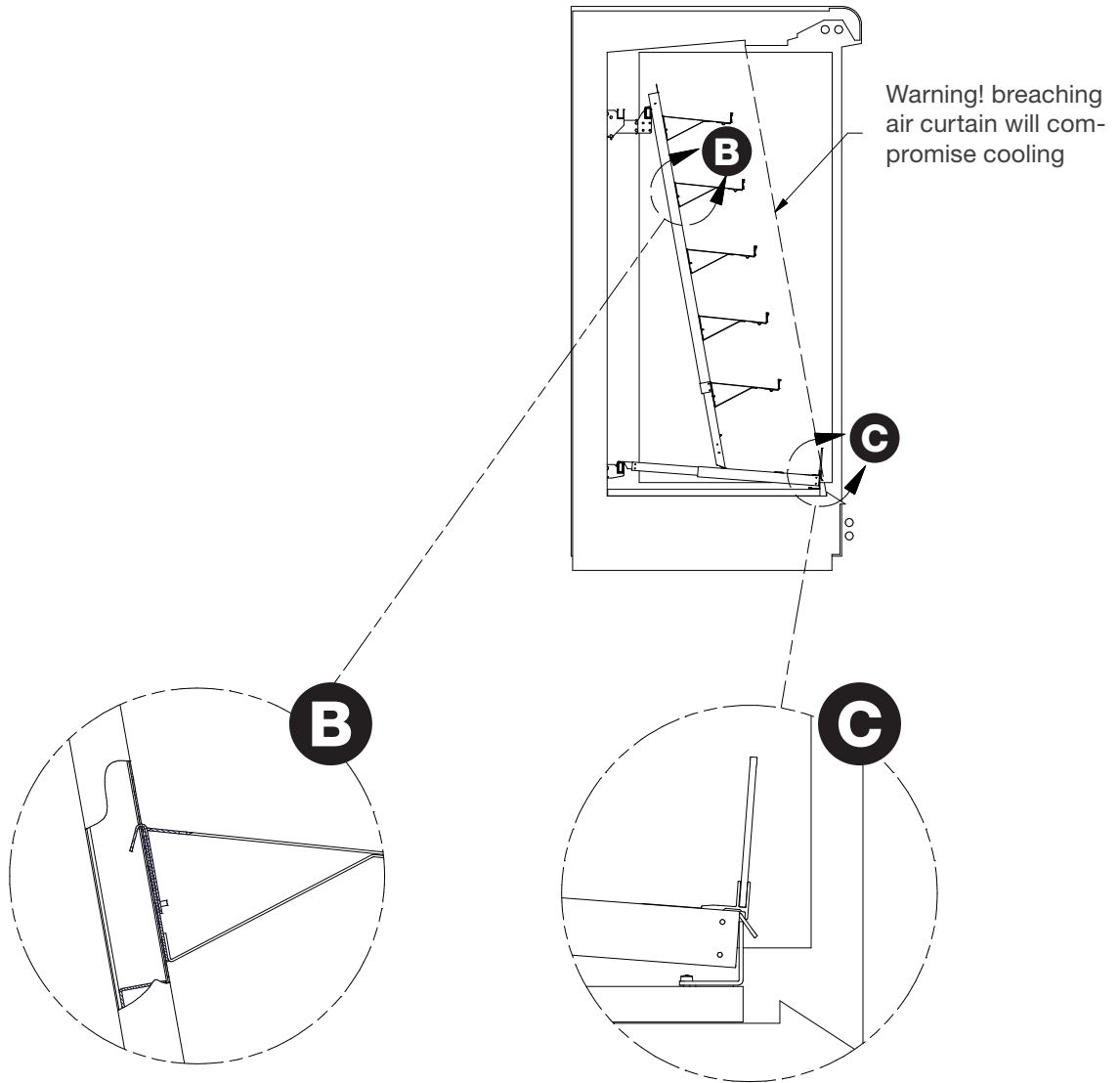
2

Hook shelves into back rack



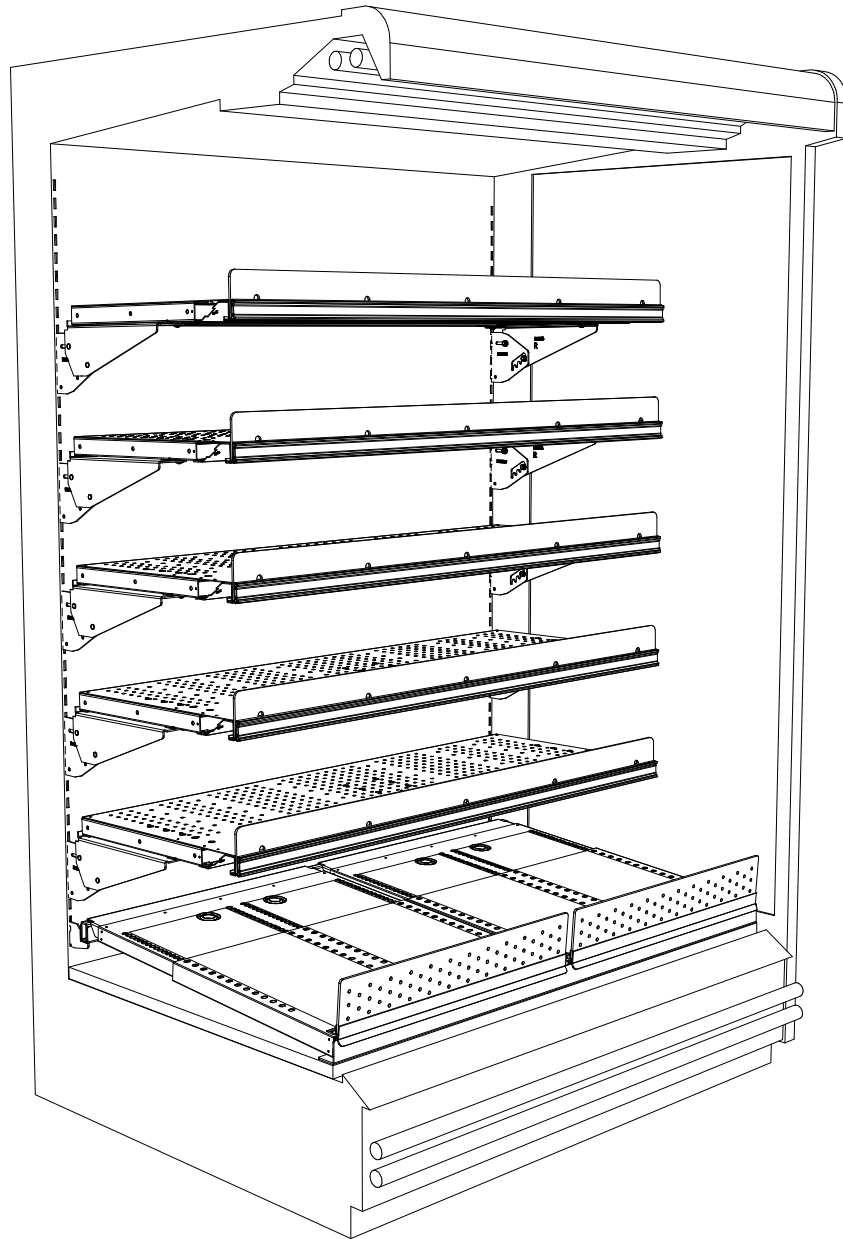
Sigma™ - Vertical sets

3 Fit all shelves



Please pay attention to points B and C

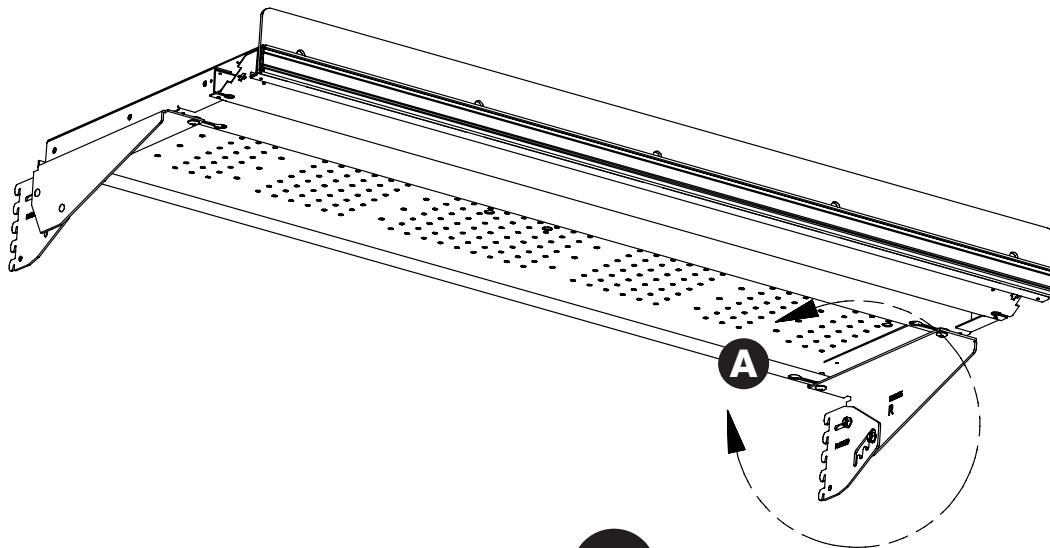
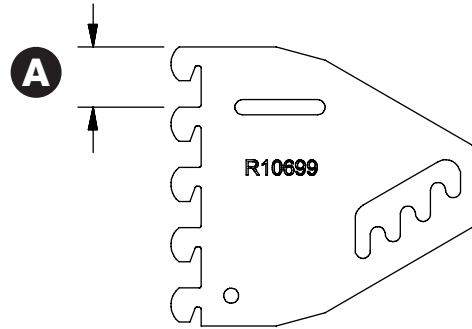
Sigma™ - Straight shelves



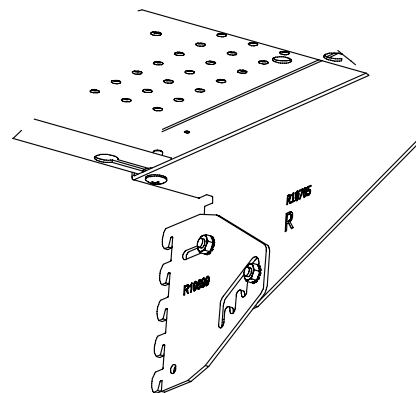
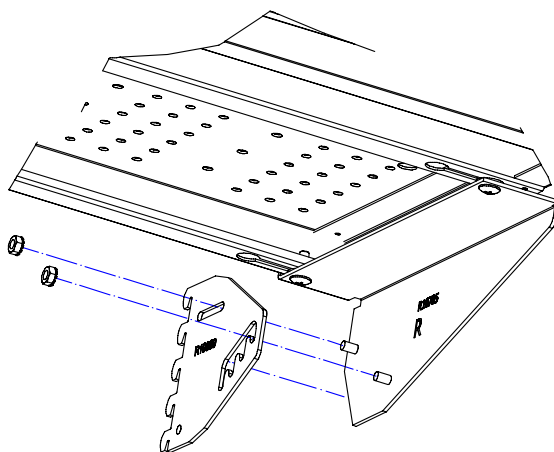
Sigma™ - Straight shelves, 25 mm STUB

Adjusting the brackets on the shelves

1 [25.40]



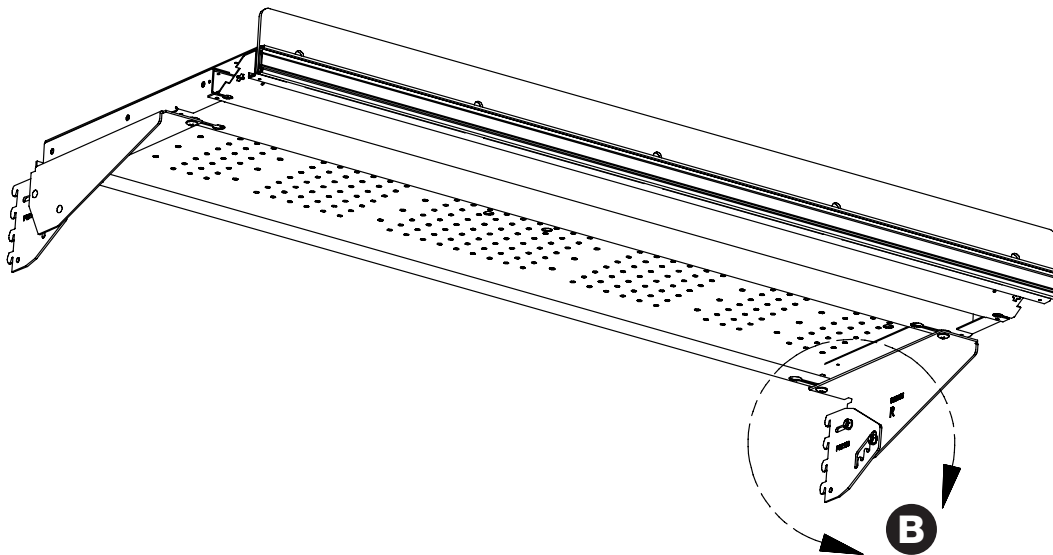
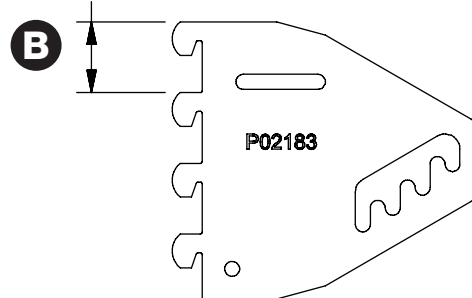
A



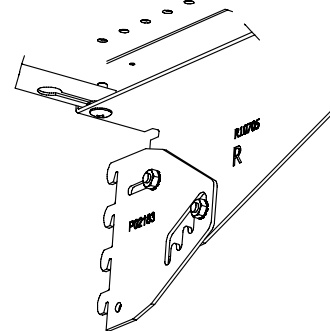
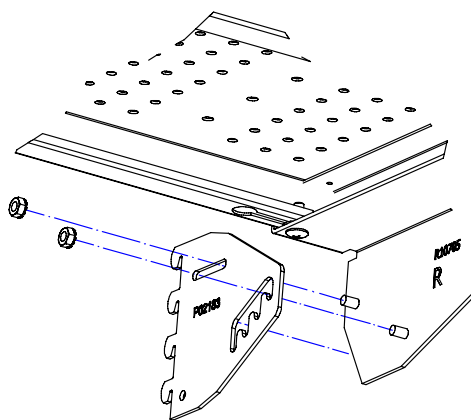
Sigma™ - Straight shelves, 30 mm STUB

1.181 [30.00]

Adjusting the brackets on the shelves

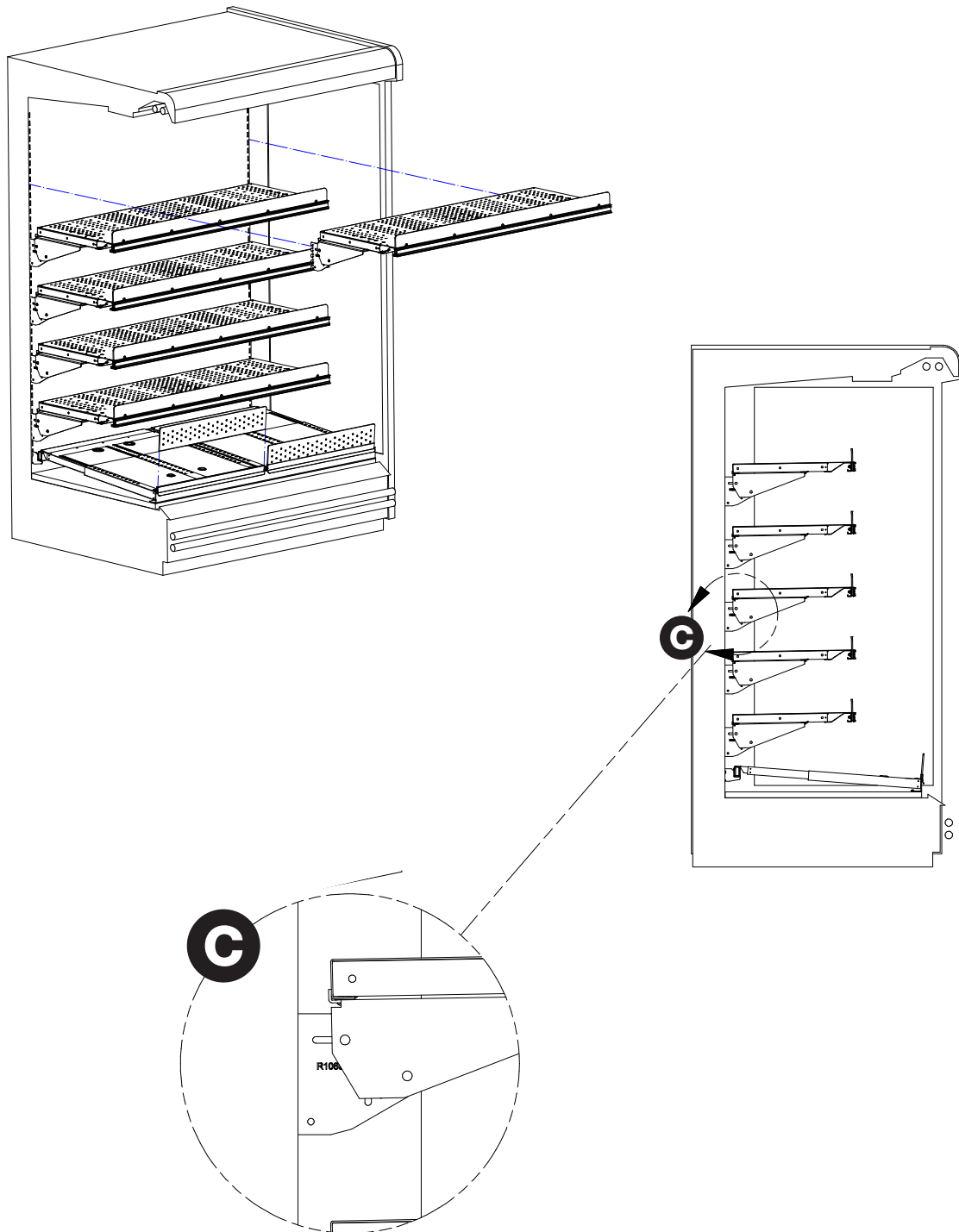


B



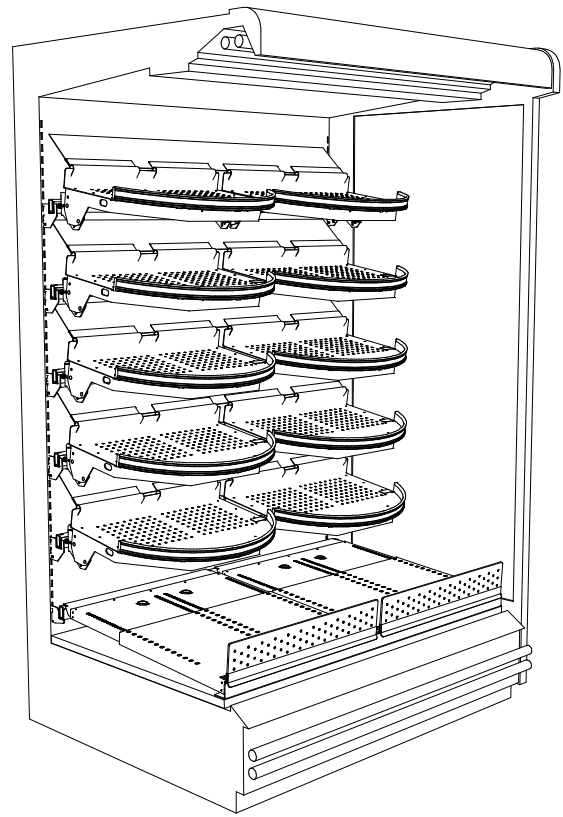
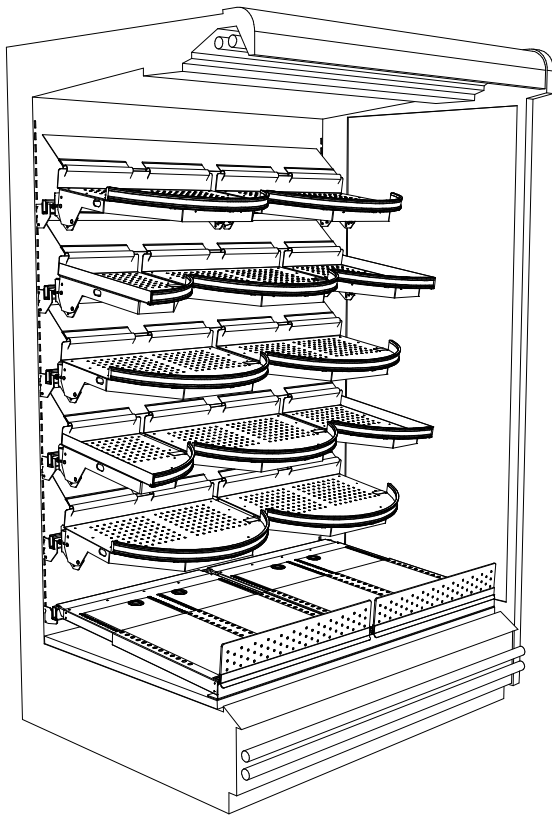
Sigma™ - Shelves

2 Fit all shelves



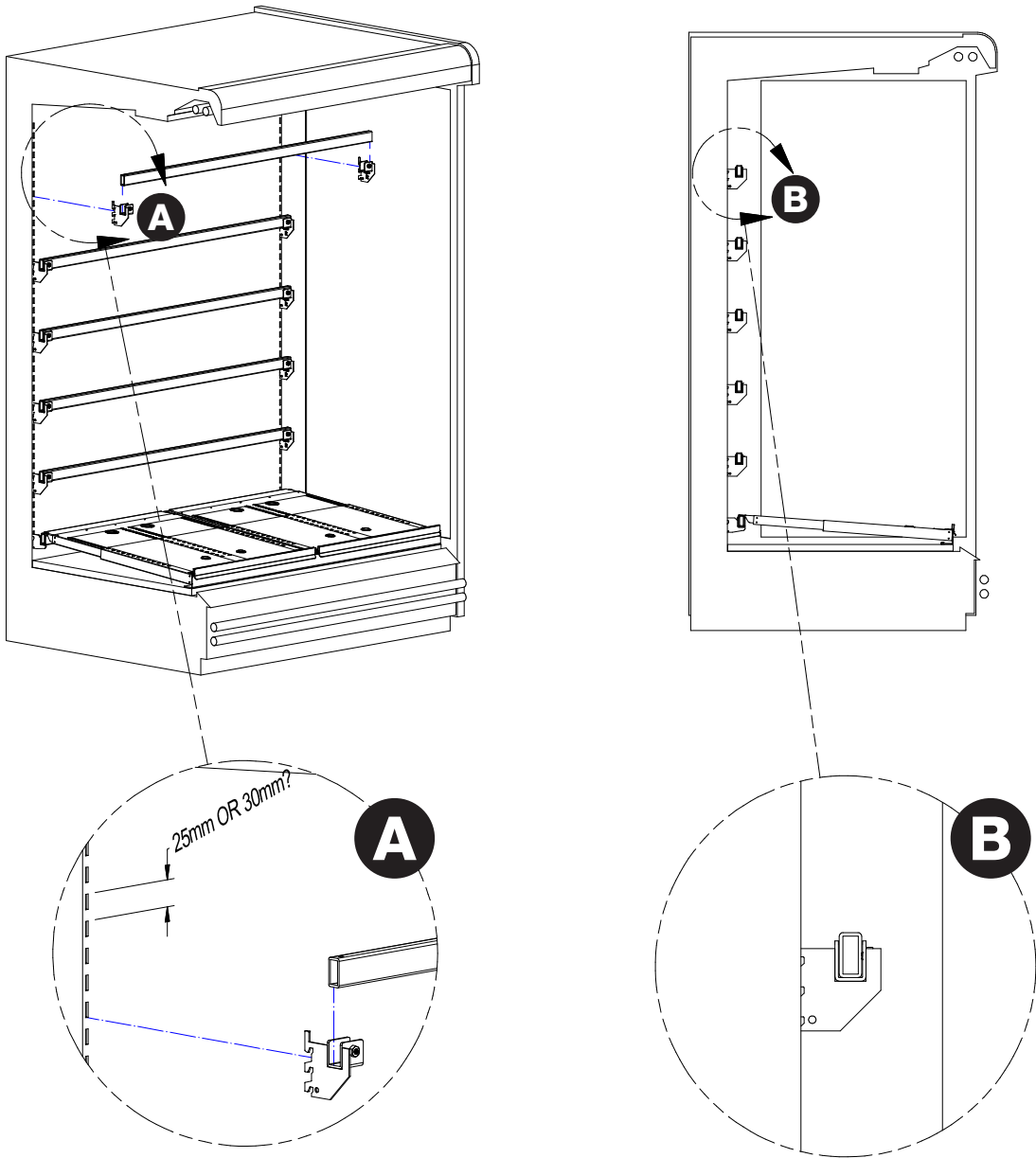
Please pay attention to point C

Sigma™ - Pod's



Sigma™ - Pod's

2 Install cross bars, 25mm and 30mm brackets included



Sigma™ - Pod's

3

