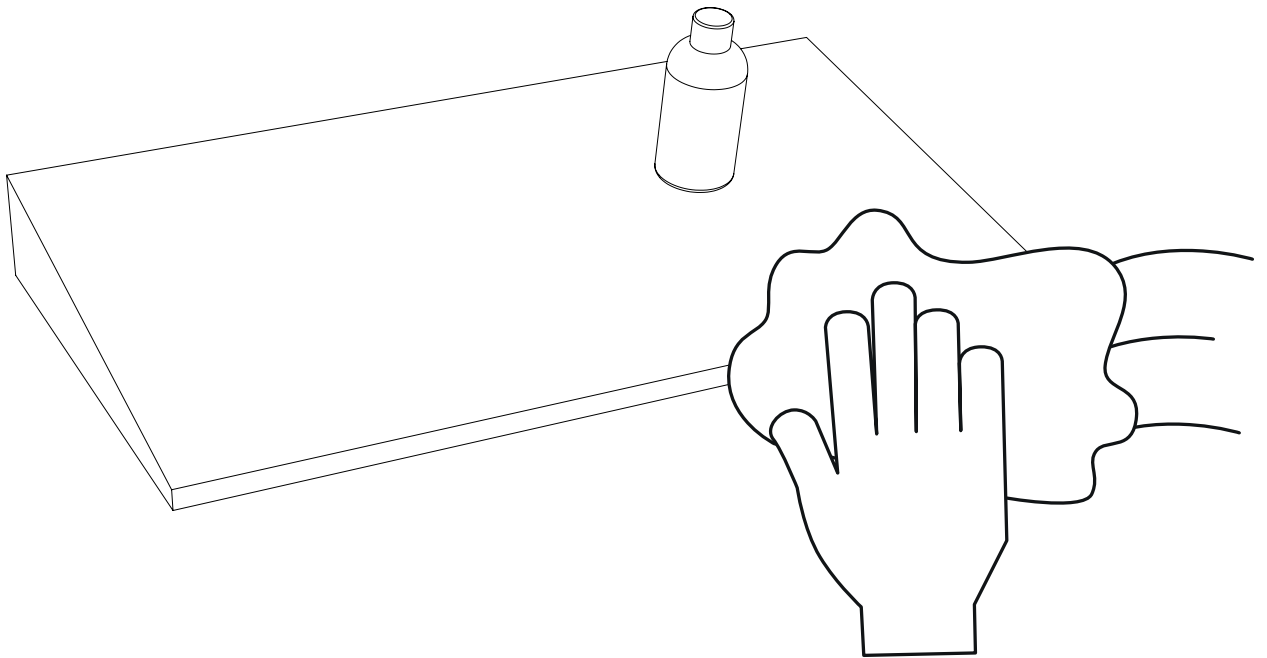


**Roller Track™**

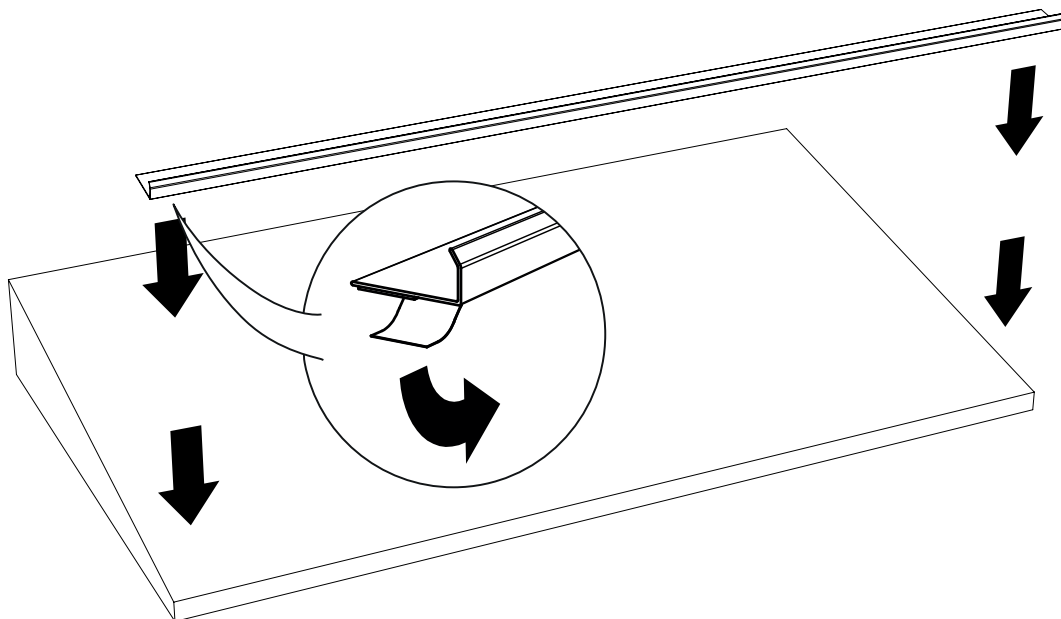
Mounting instruction

# Roller Track™ - Sheet installation

## 1 Clean the shelf



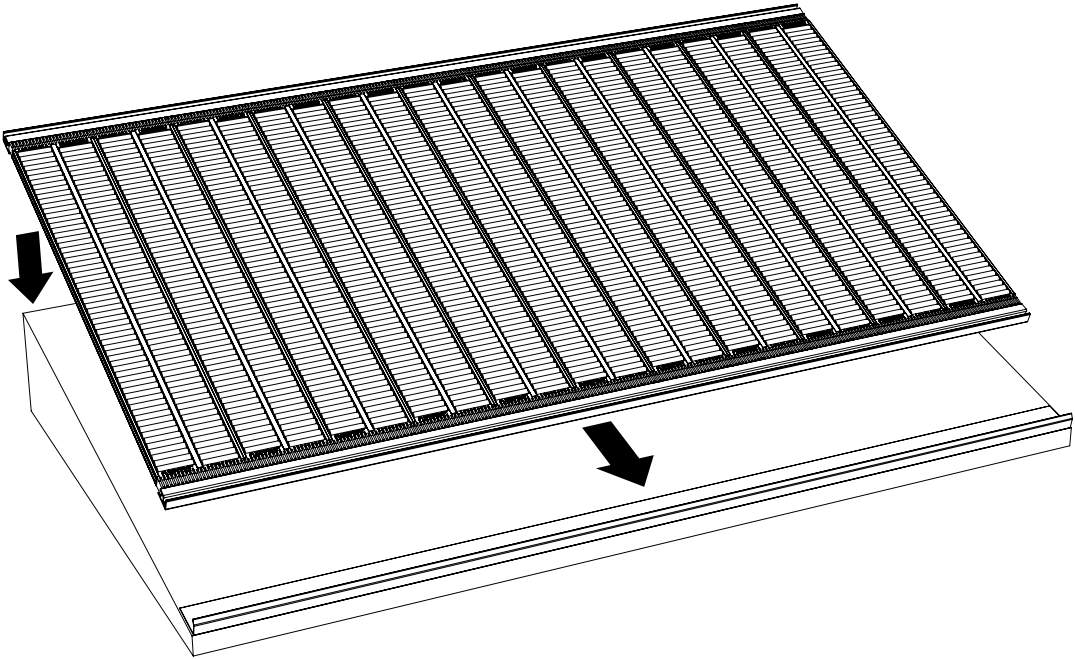
## 2 Remove the protection film from the front stop, place it at the front of the shelf and press firmly



Installation on angled shelf go to step 3  
Installation on flat shelf go to step 4

## Roller Track™ - Sheet installation **angled** shelf

- 3** Place the Roller Track™ sheet on the shelf

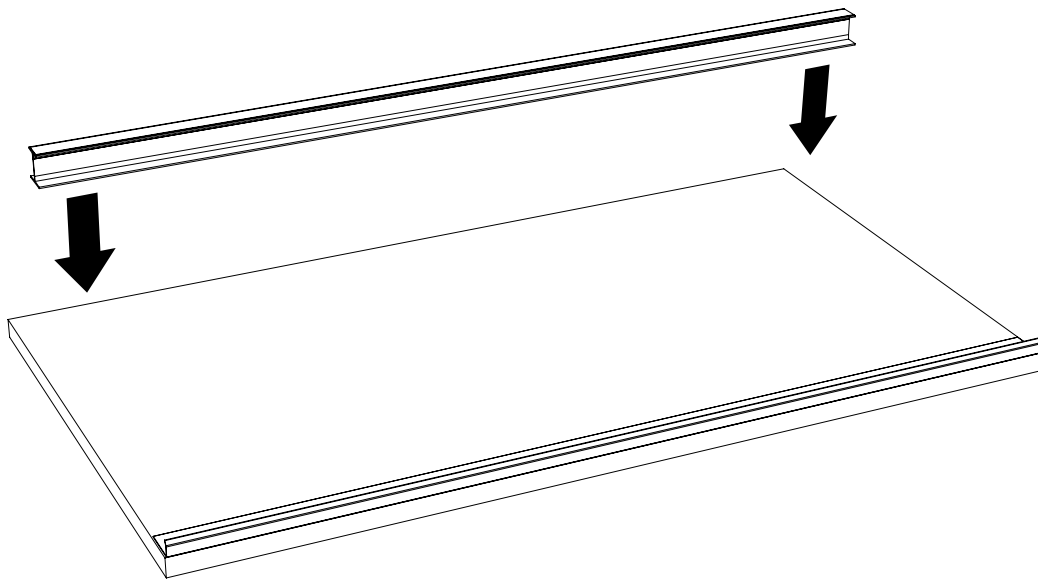


Go to step 6

---

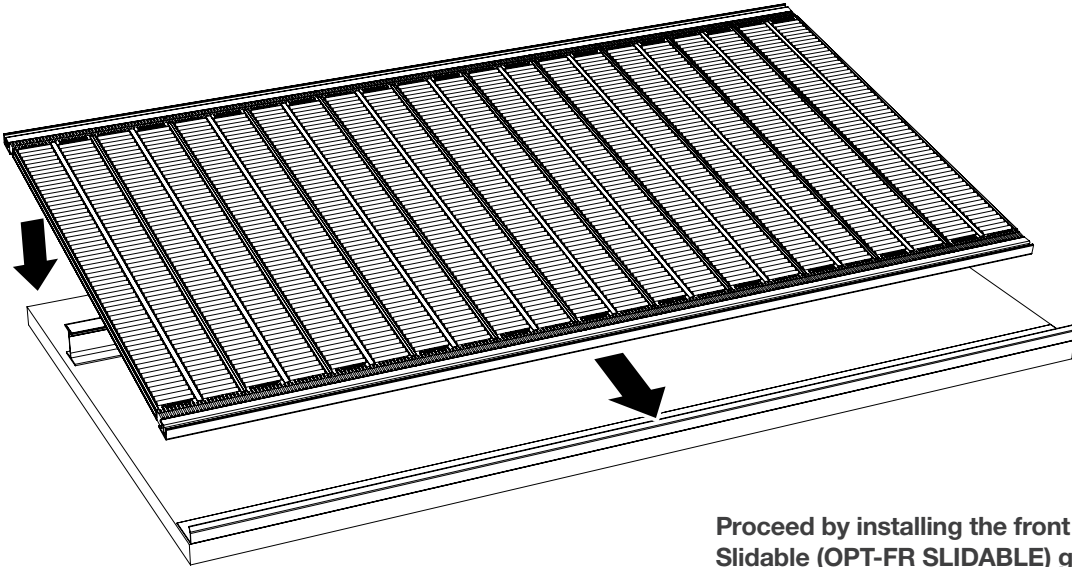
## Roller Track™ - Sheet installation **flat** shelf

- 4** Place the angle adapter approximately 5 cm from the back. Add an extra angle adapter if the shelf depth is more than 540 mm.



## Roller Track™ - Sheet installation **flat** shelf

- 5** Place the Roller Track™ sheet on the shelf

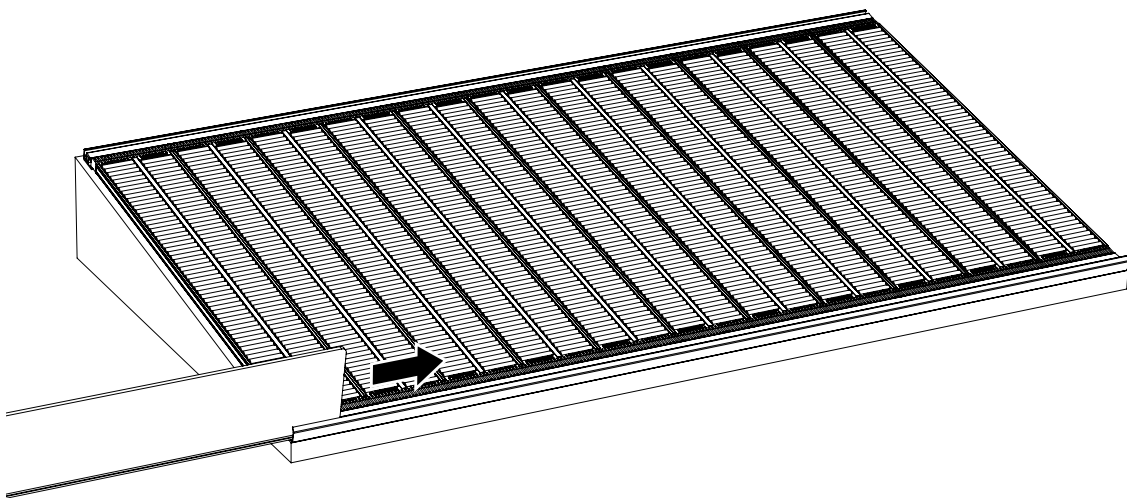


Proceed by installing the front riser  
Slidable (OPT-FR SLIDABLE) go to step 6  
Non-slidable (OPT-FR) go to step 7

---

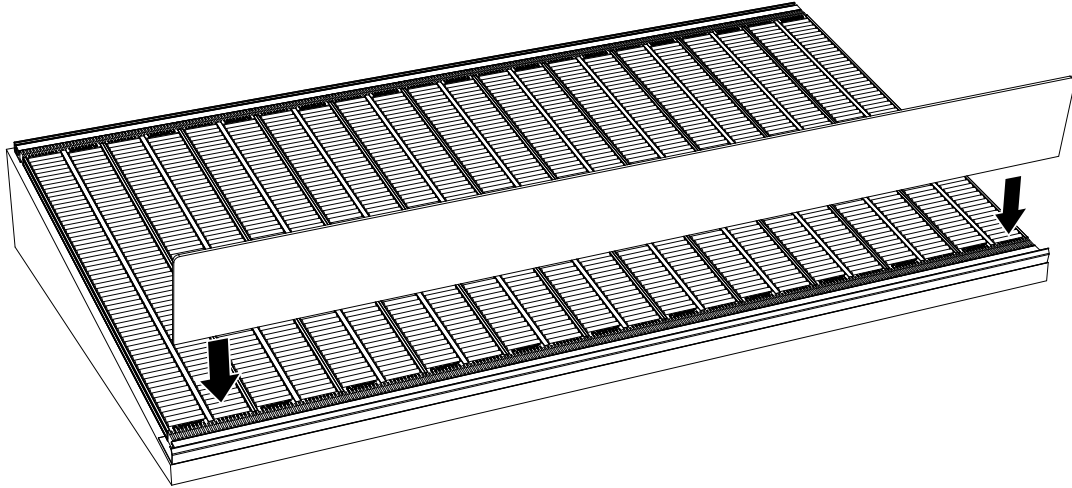
## Roller Track™ - Sheet installation slidable **front riser**

- 6** Slide the front riser into the front aluminum profile from the side



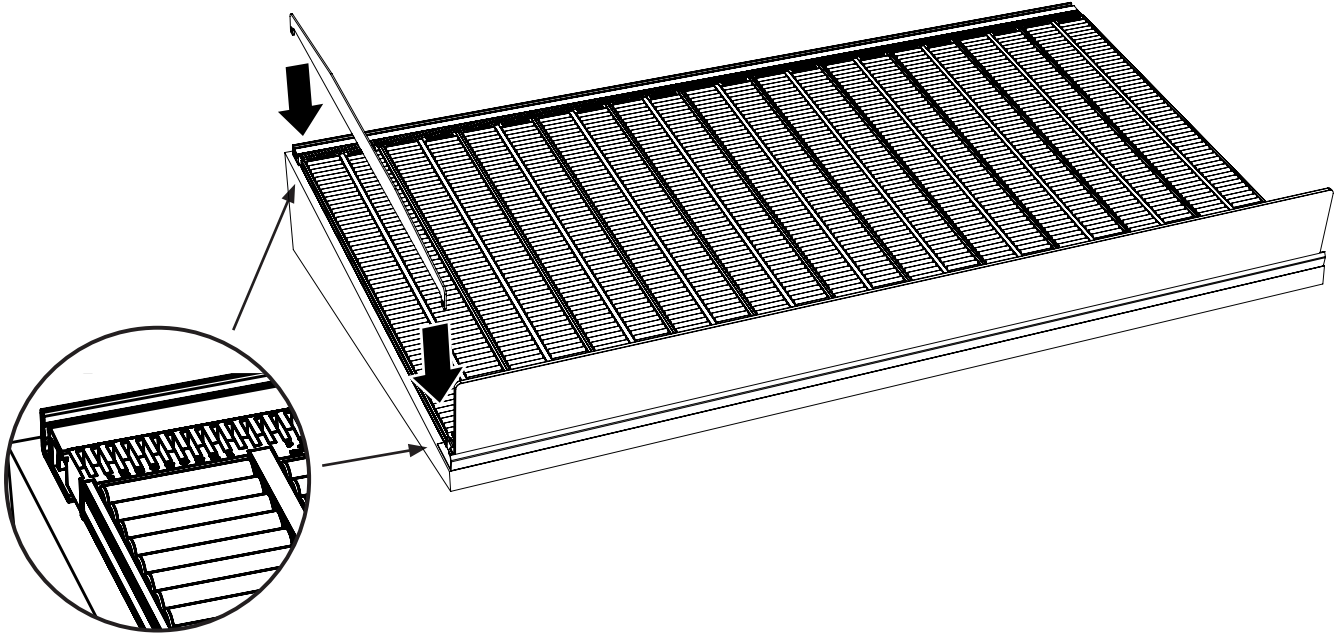
# Roller Track™ - Sheet installation non-slidable **front riser**

**7** Press down the front riser in the front aluminum profile

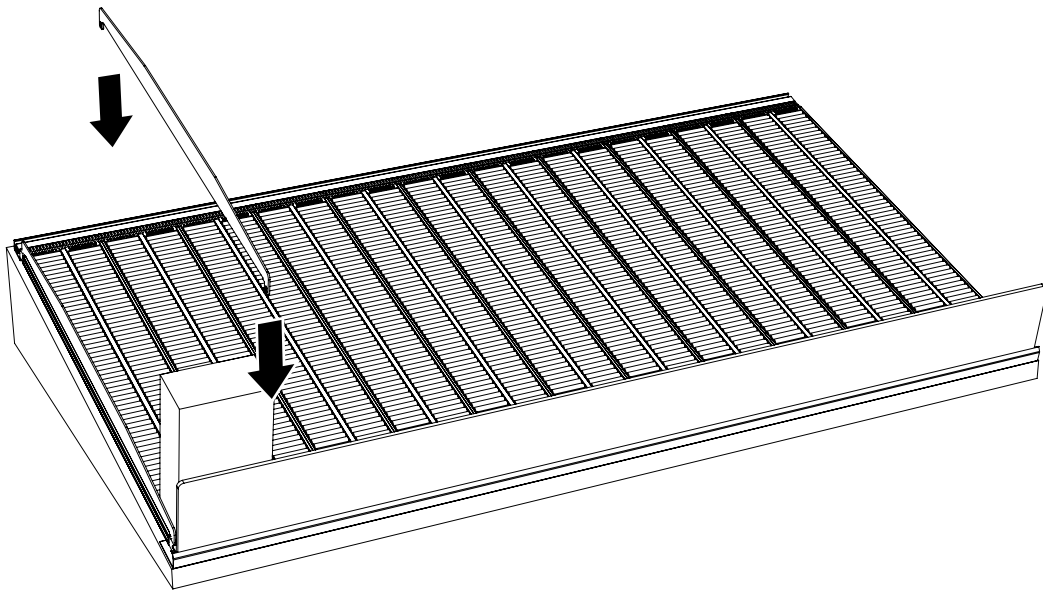


# Roller Track™ - Divider installation **RT-AVD**

- 1** Place the first divider, use the numbering to position the divider straight

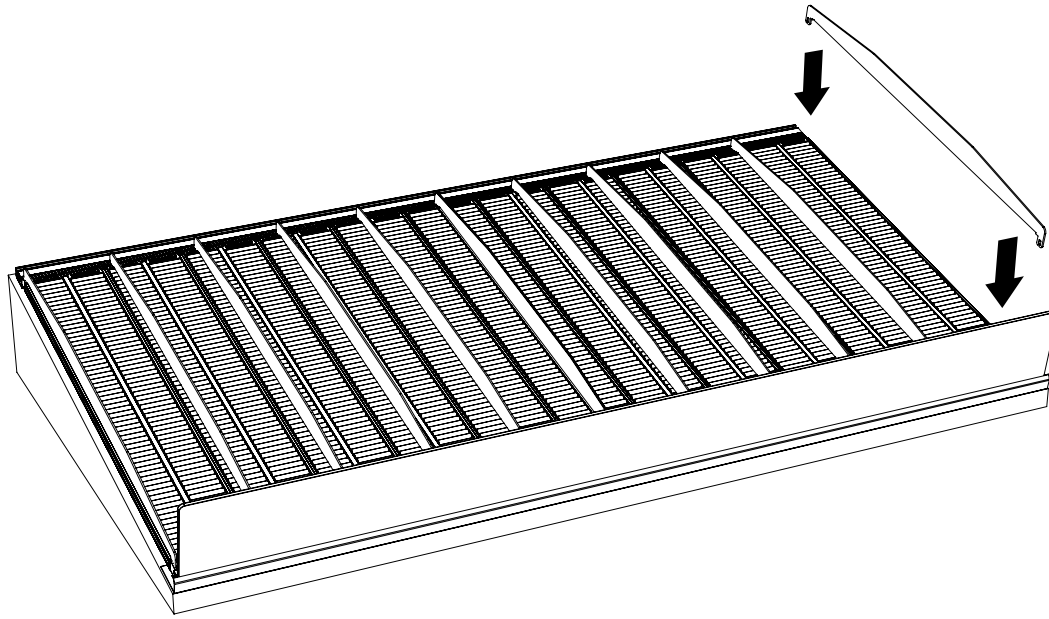


- 2** Place the next divider between each facing



# Roller Track™ - Divider installation **RT-AVD**

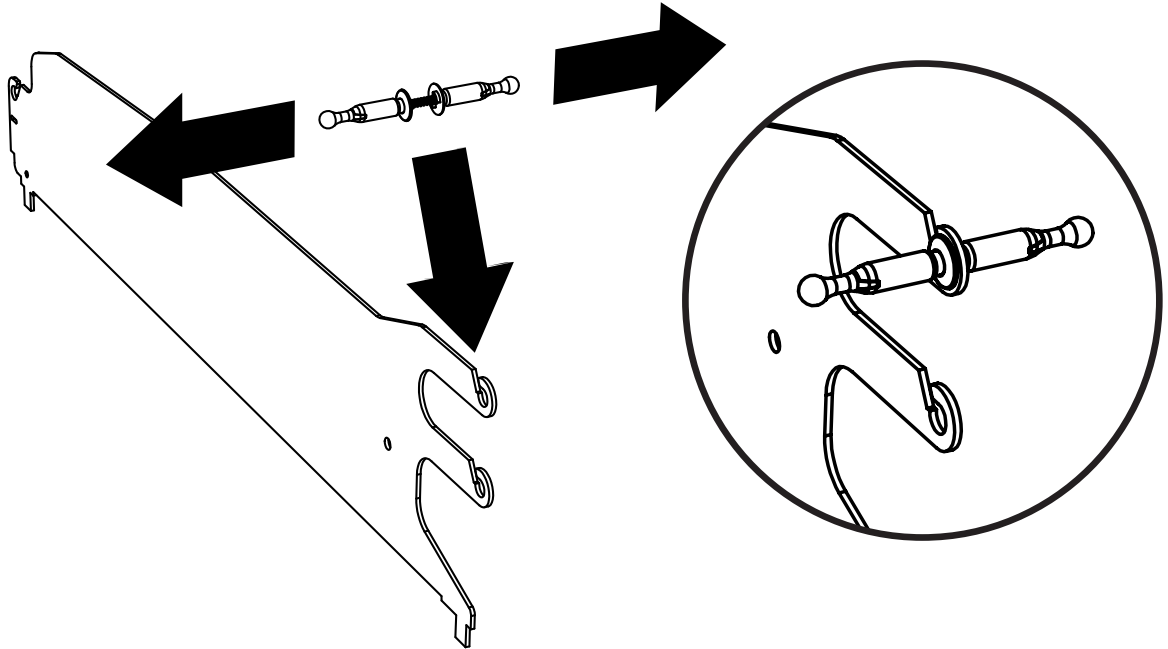
**3** Repeat the mounting procedure



# Roller Track™ - Divider installation **RT-AVD-DS**

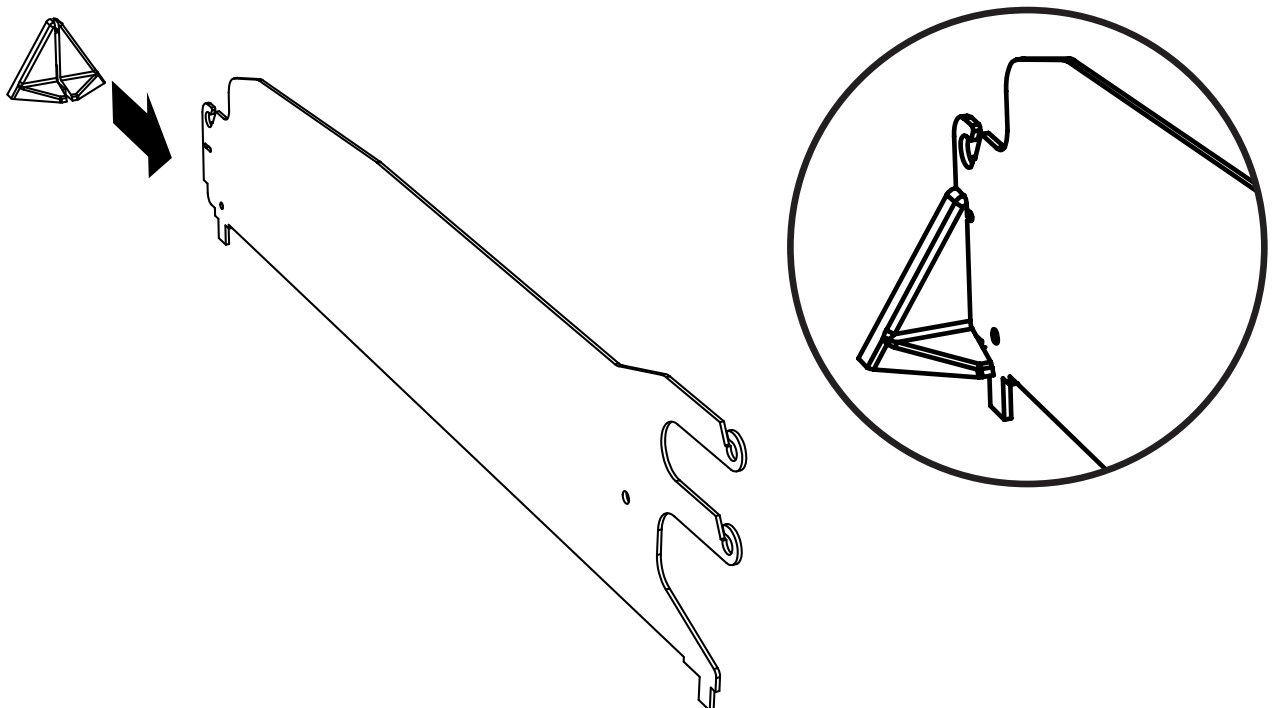
**1**

**Install the pivots.** Pull out the pivot retainer and insert into the open eyelet at the front of the divider. Be sure that the divider is in between the retainer washers. Retainer washer will nest in eyelet. Retainer should not wobble in eyelet.



**2**

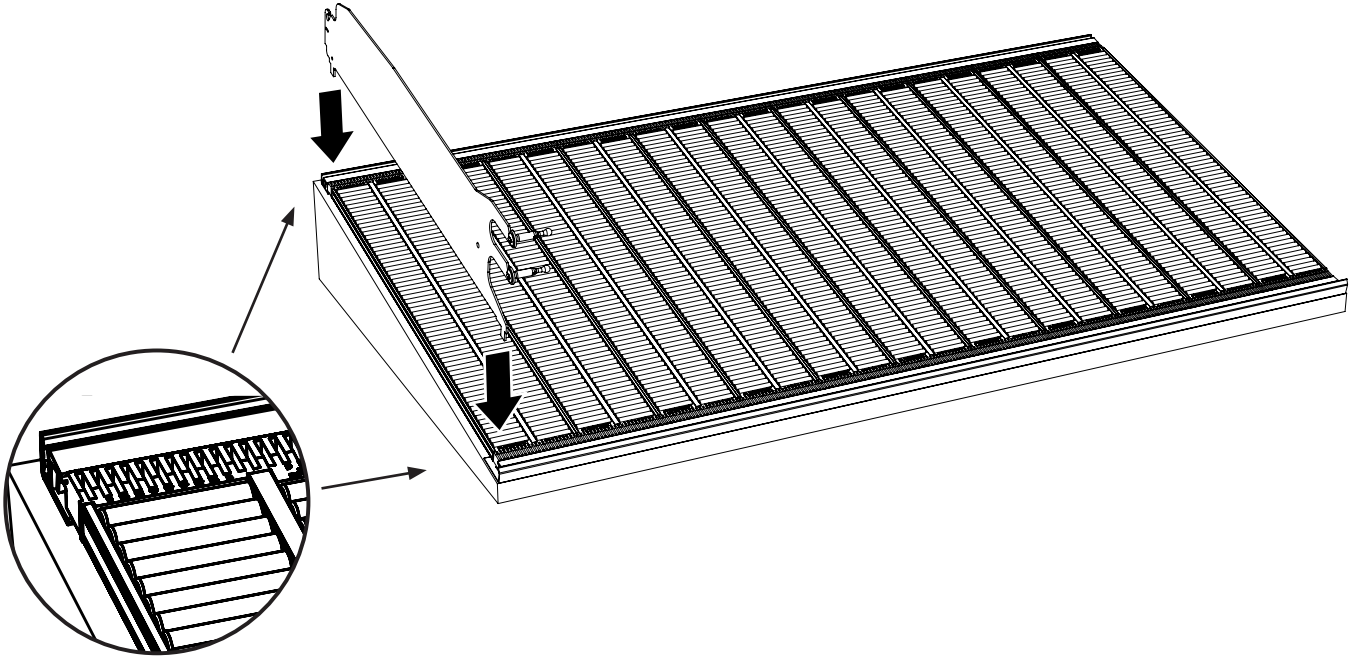
**Install stabilizer onto the back of the divider. Note: Dividers on the end (Sides) of the sheet should not have stabilizers.**



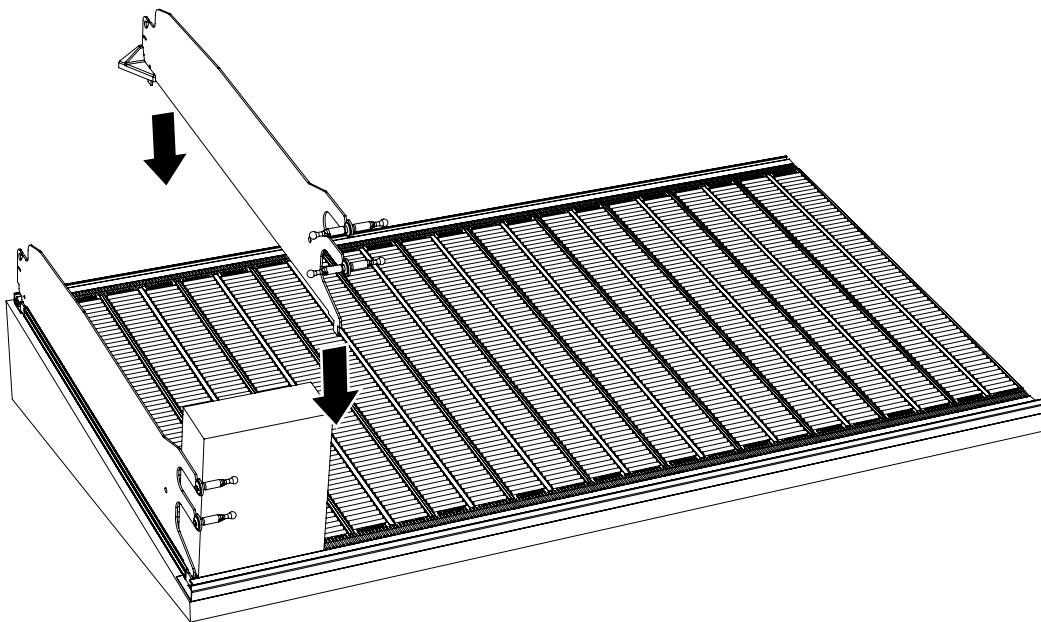


# Roller Track™ - Divider installation **RT-AVD-DS**

- 3** Place the first divider, use the numbering to position the divider straight

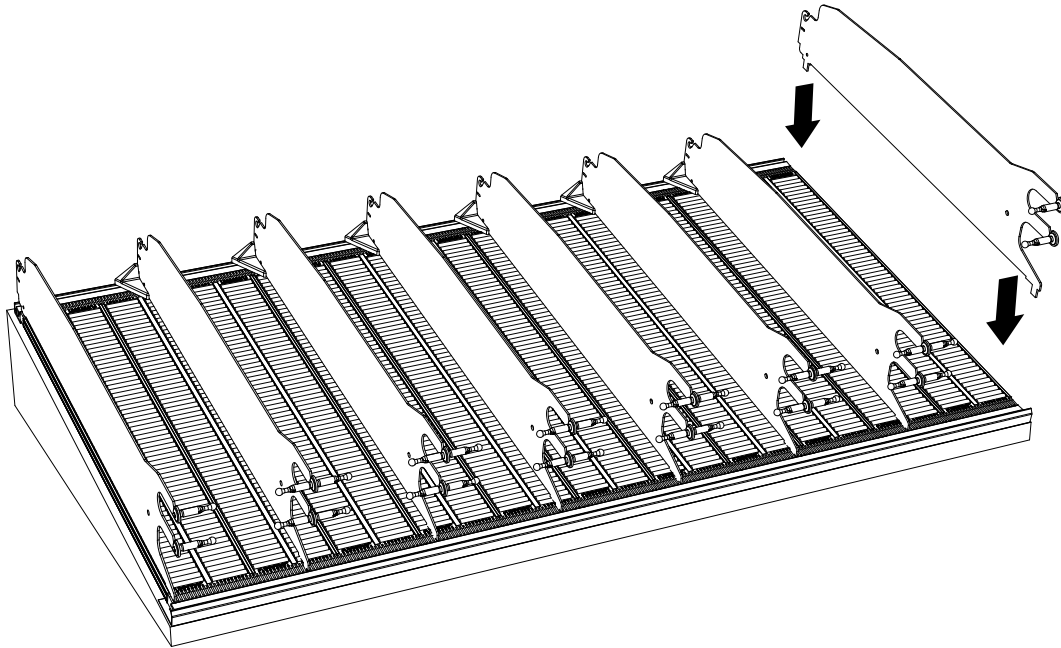


- 4** Place the next divider between each facing



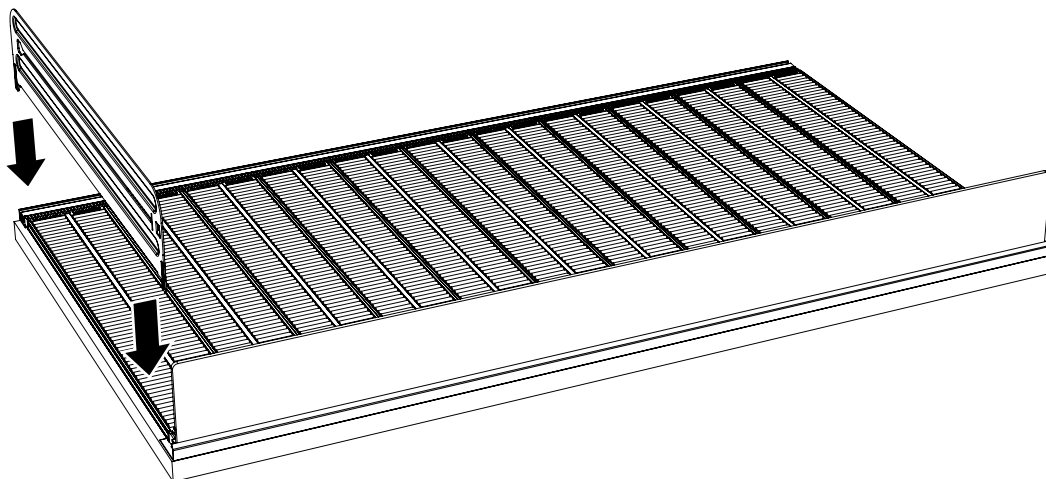
# Roller Track™ - Divider installation **RT-AVD-DS**

**5** Repeat the mounting procedure

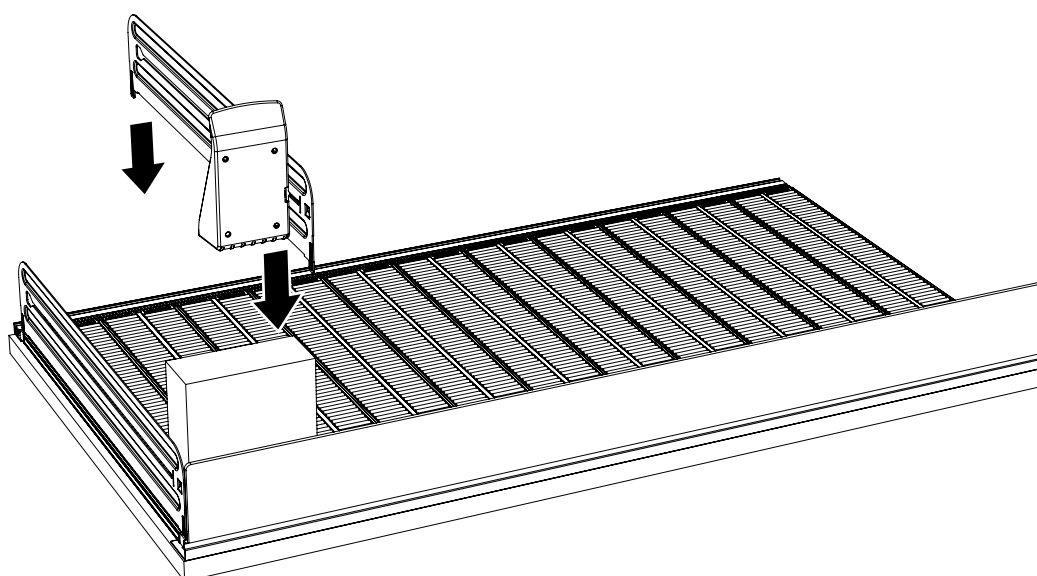


# Roller Track™ - Divider installation **RTZ**

- 1** Place the first divider (without pusher), use the numbering to position the divider straight



- 
- 2** Place the next divider including pusher between each facing



# Roller Track™ - Divider installation **RTZ**

**3** Repeat the mounting procedure

