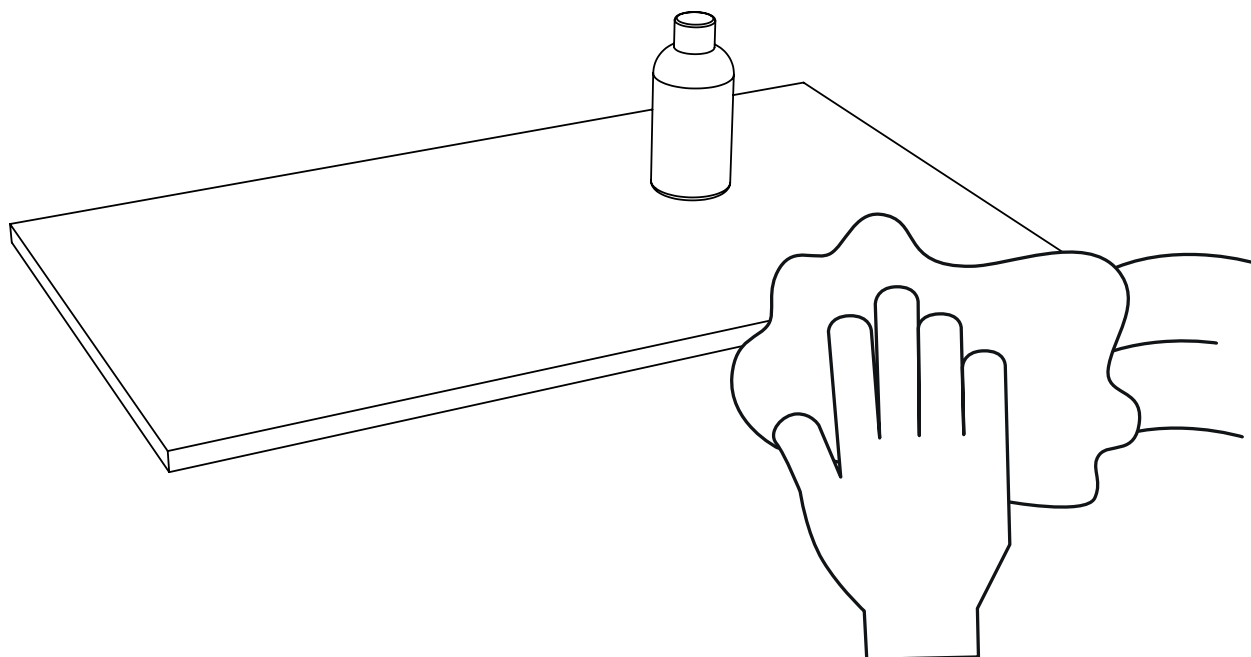


Multivo Max™

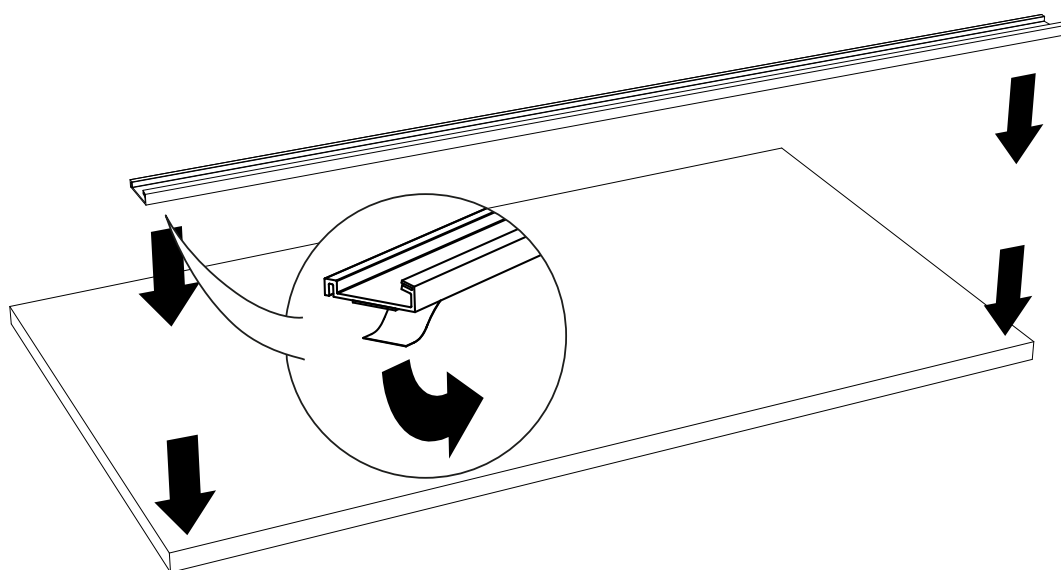
Mounting instruction
on metal and wire shelf

Multivo Max™ for metal shelves

1 Clean the shelf

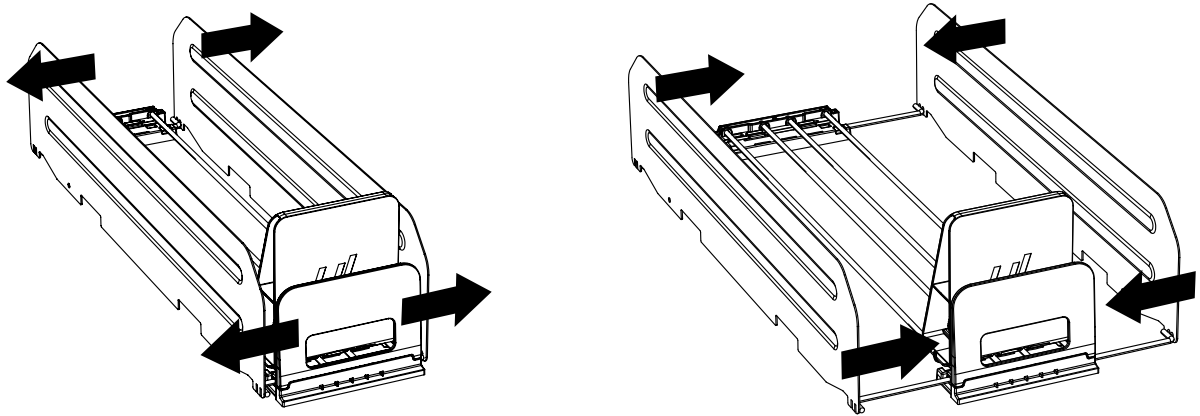


2 Remove the protection film from the rail, place it at the front of the shelf and press firmly



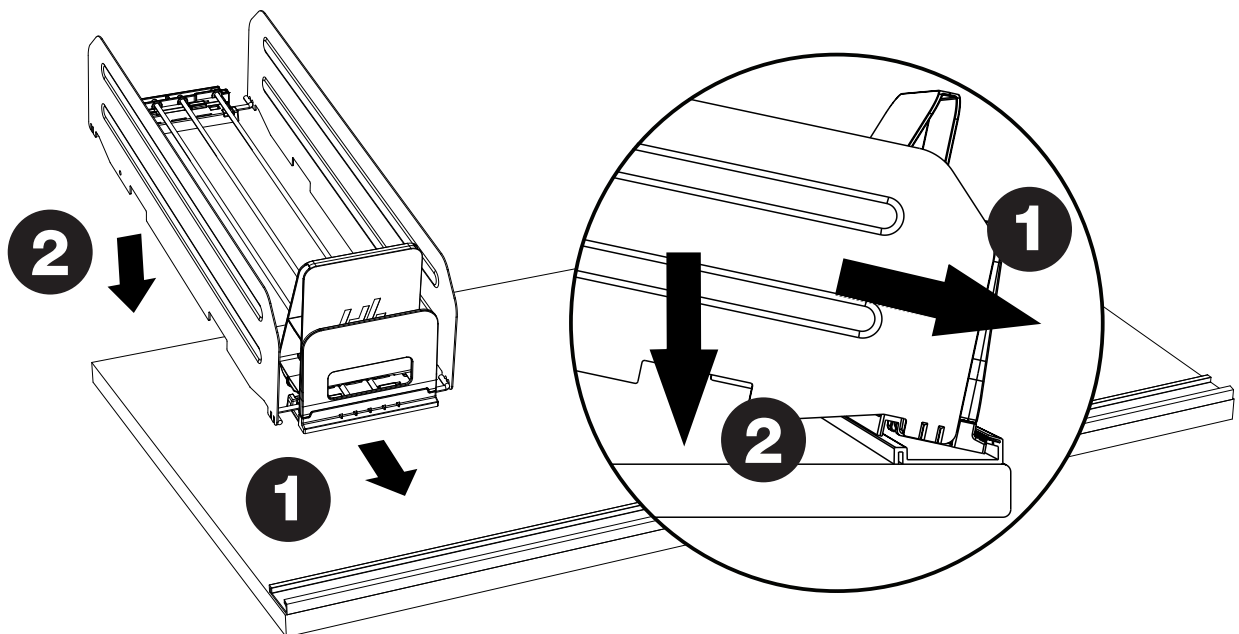
Multivo Max™ for metal shelves

3 Adjust the dividers to fit different pack types



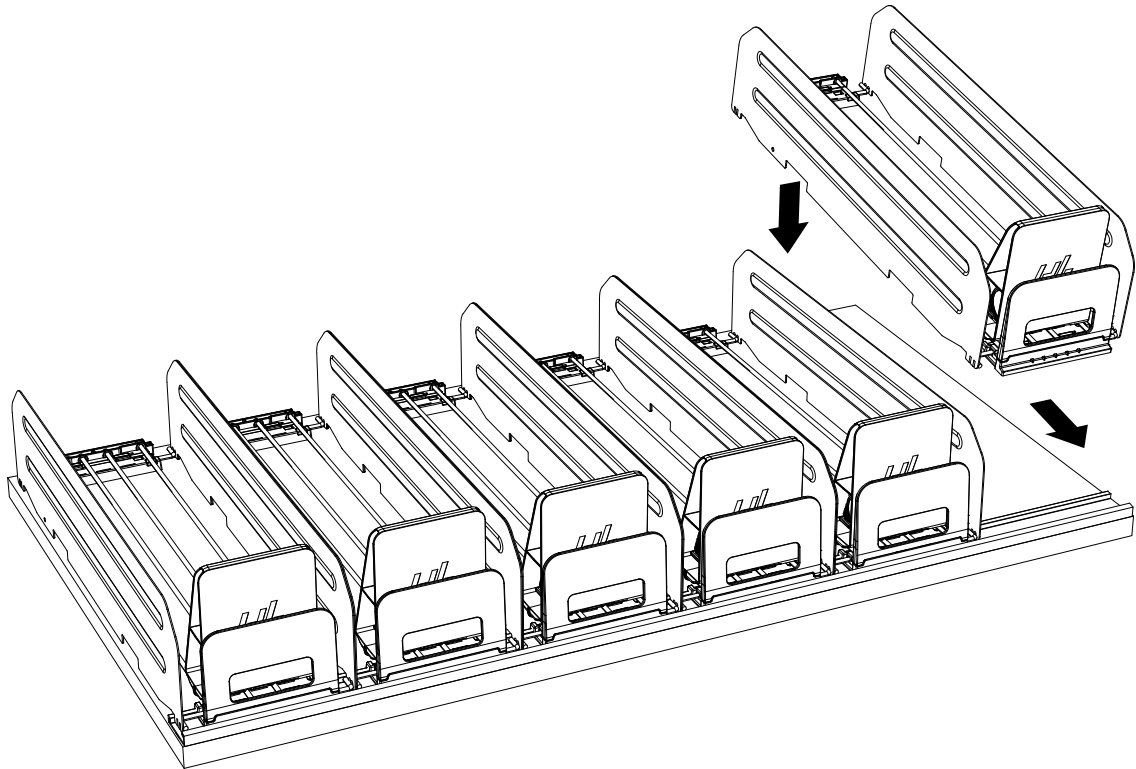
4

1. Tilt the pusher tray into the front rail
2. Place the tray on the shelf

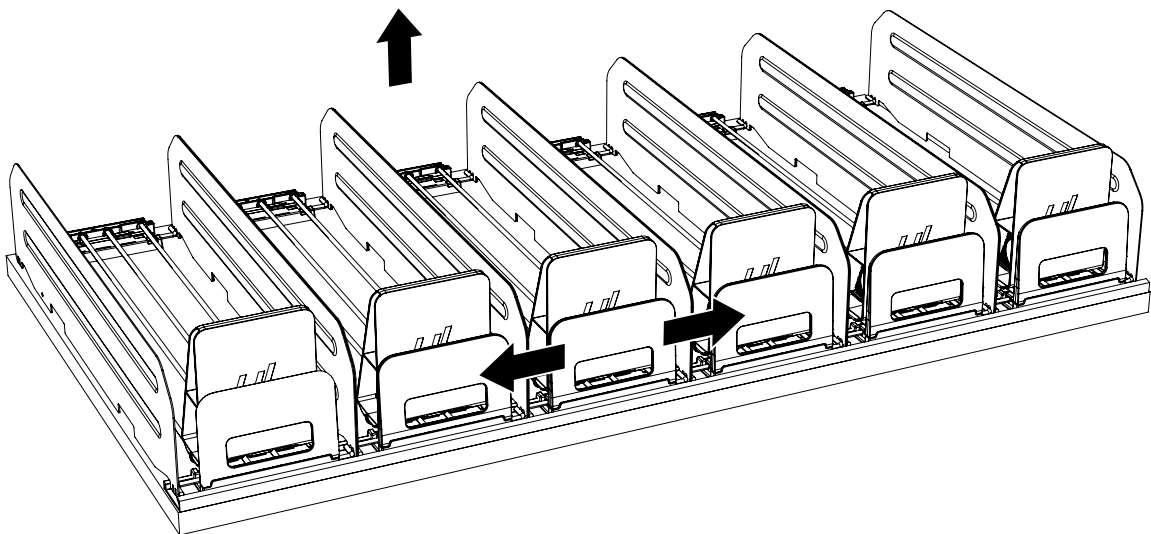


Multivo Max™ for metal shelves

5 Repeat for each tray to complete the installation



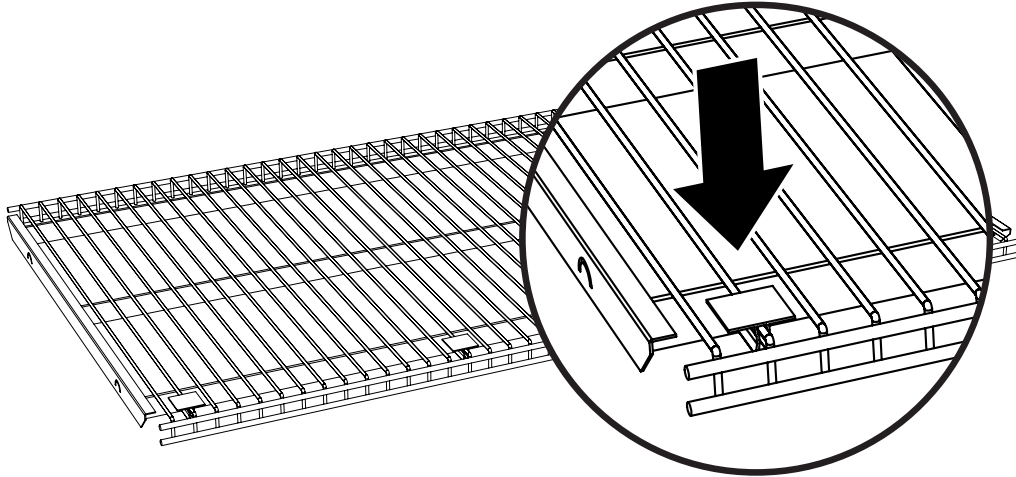
6 To remove or adjust a tray, lift up the rear to unlock from the front rail



Multivo Max™ for 3mm wire shelves

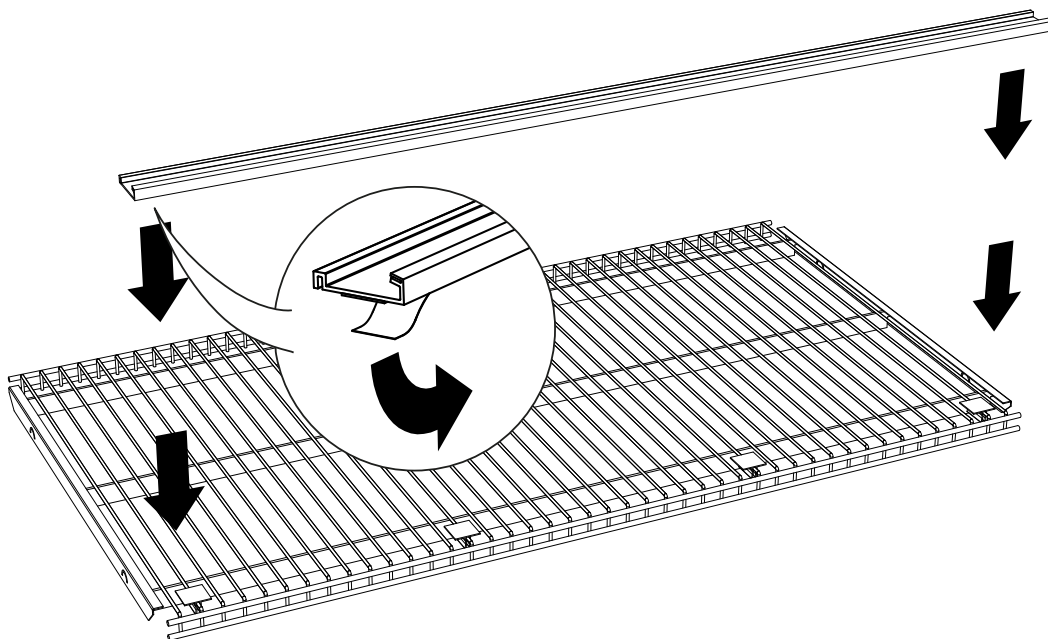
1

Press down the MU-CLIP (for 3mm wires) in the front part of the wire shelf until you hear a click. Use at least three clips per shelf, with 15-20 cm intervals



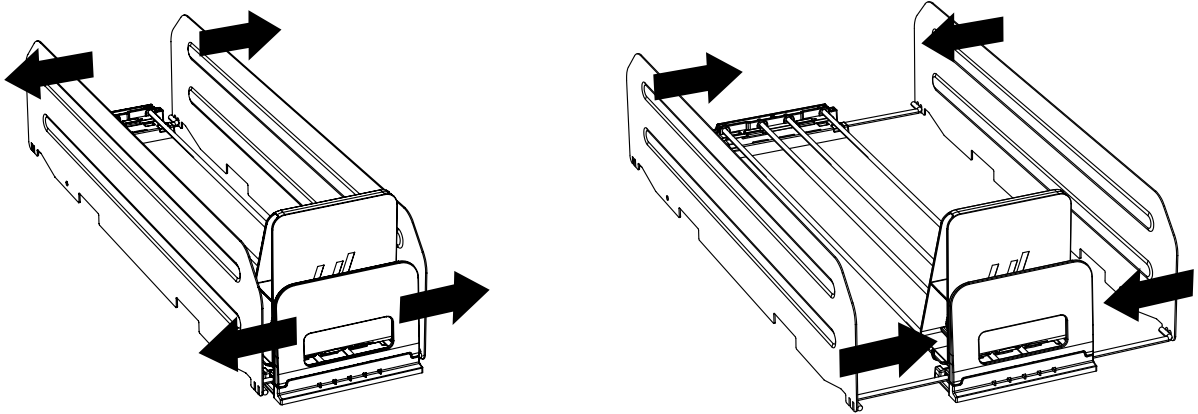
2

Remove the protection film from the rail, place it on the clips and press firmly



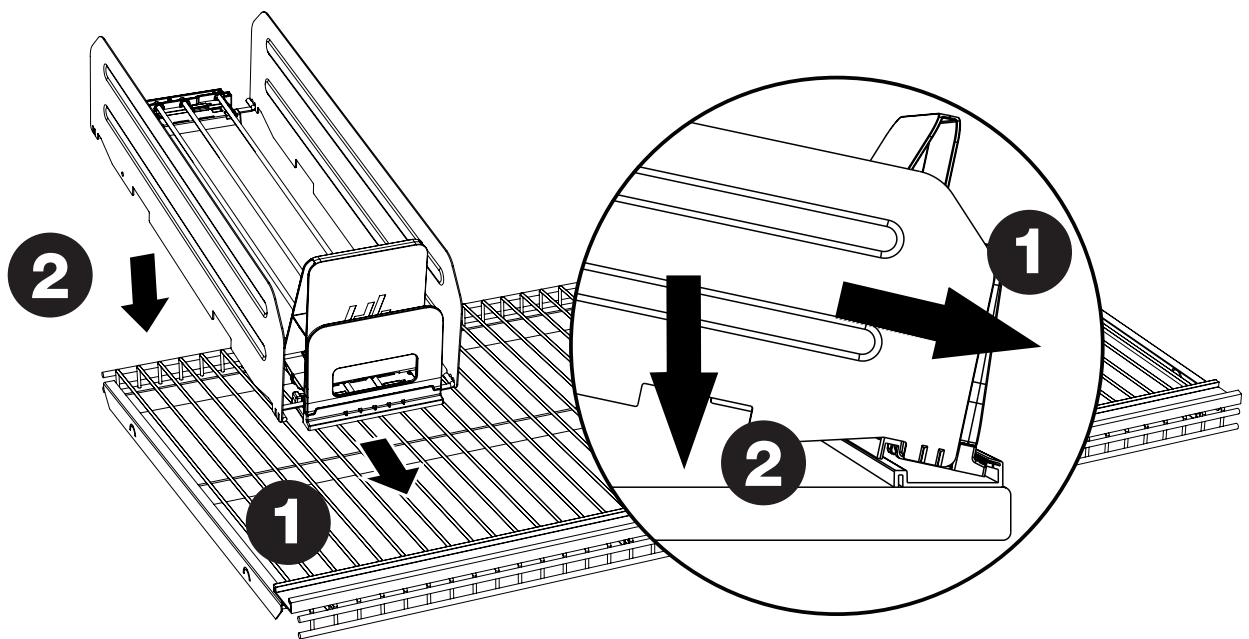
Multivo Max™ for 3mm wire shelves

3 Adjust the dividers to fit different pack types



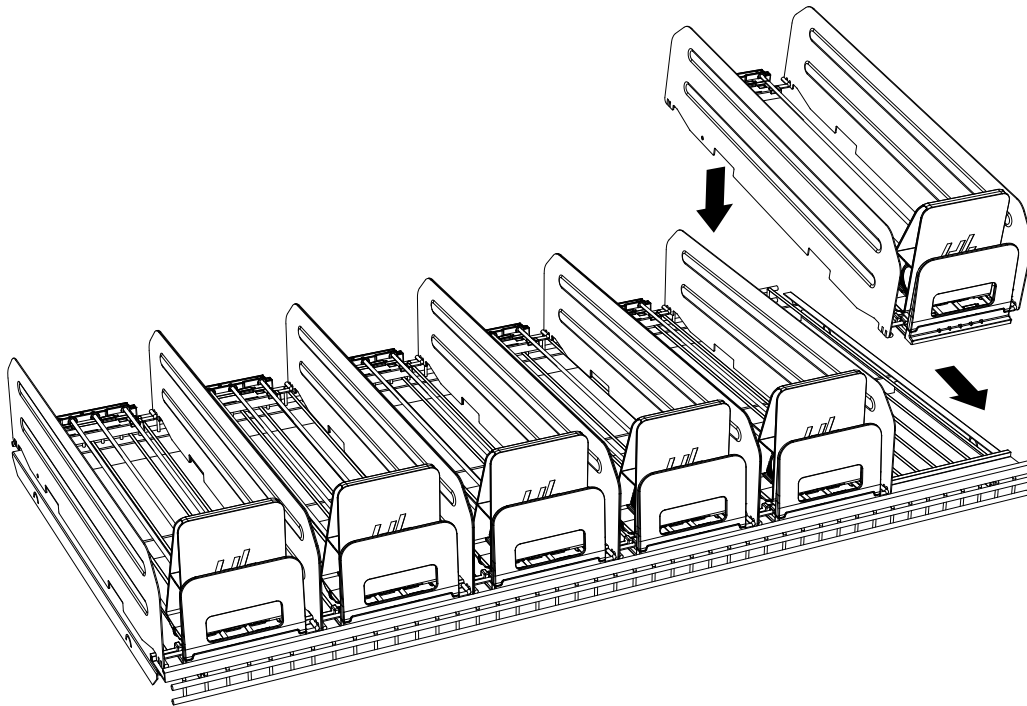
4

1. Tilt the pusher tray into the front rail
2. Place the tray on the shelf



Multivo Max™ for 3mm wire shelves

5 Repeat for each tray to complete the installation



6 To remove or adjust a tray, lift up the rear to unlock from the front rail

