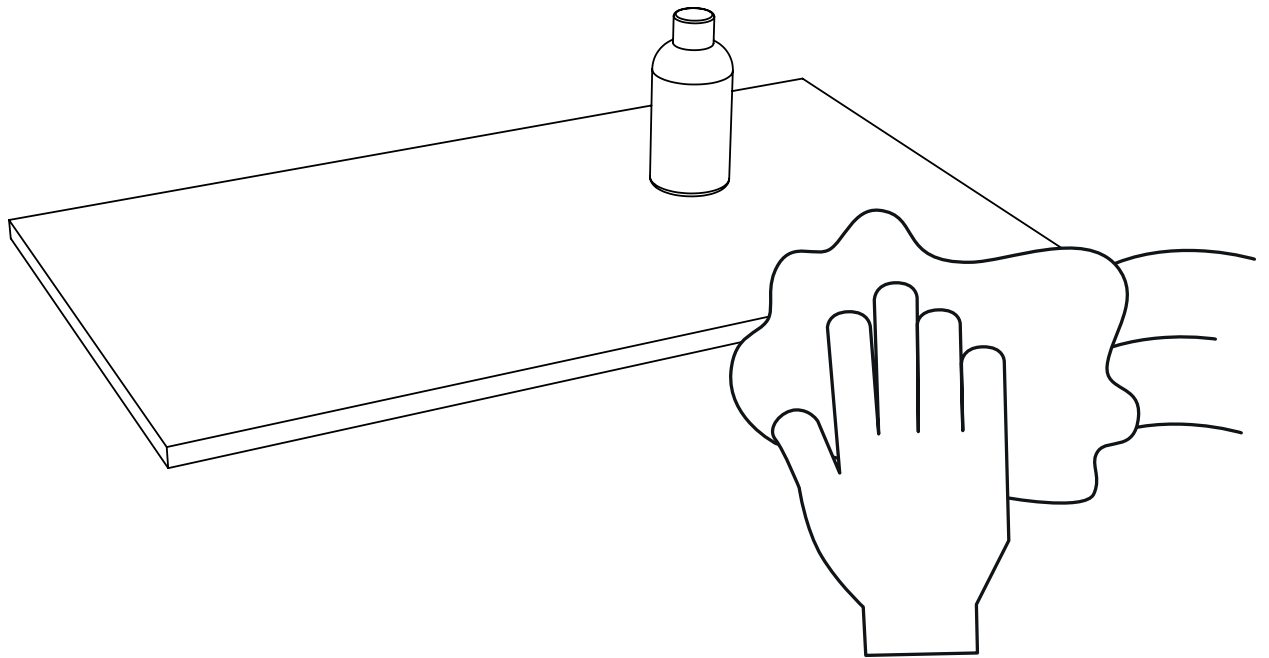


Optimal™

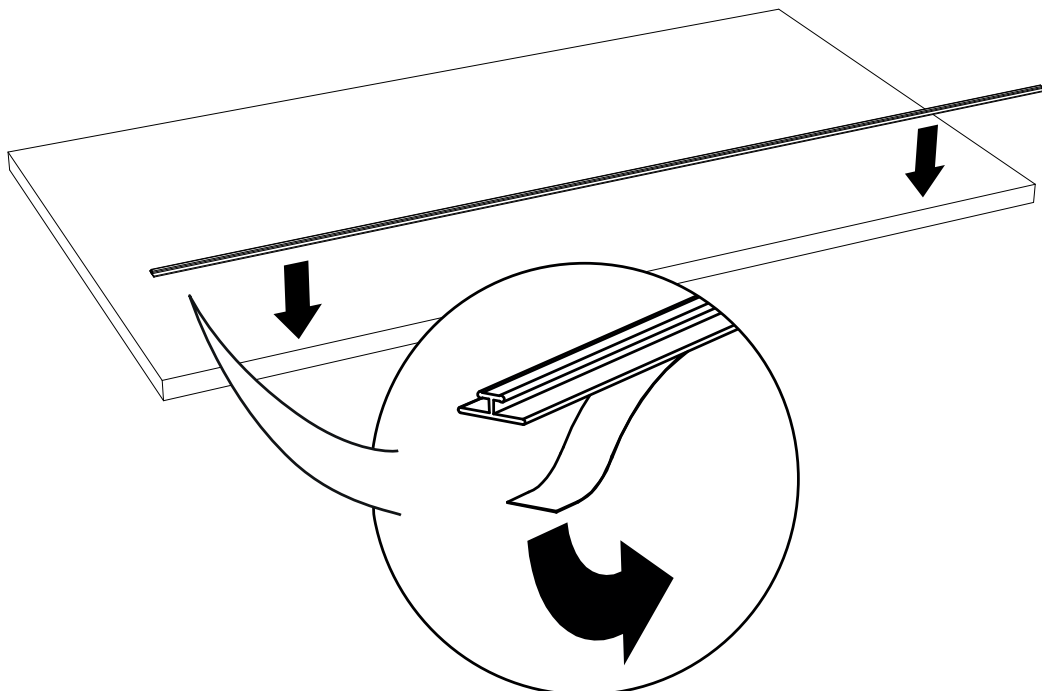
Mounting instruction
on metal and wire shelf

Optimal™ for metal shelves

1 Clean the shelf



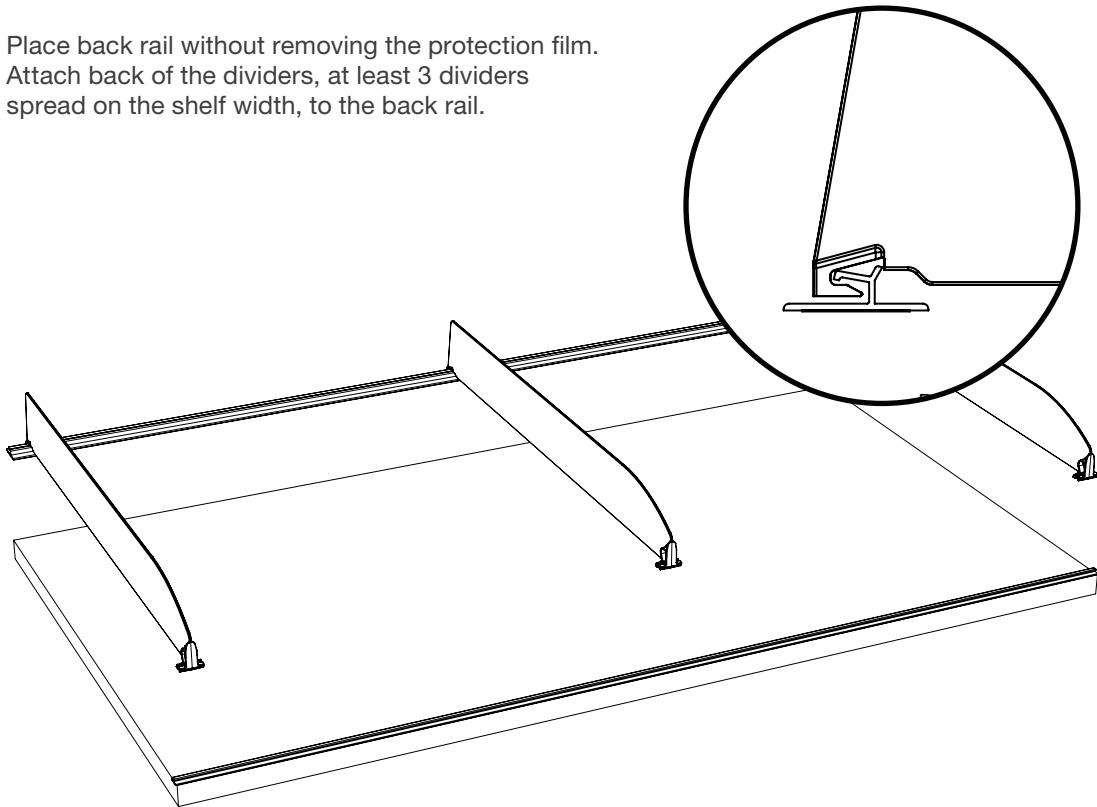
2 Remove the protection film from the rail, place it at the front of the shelf and press firmly



Optimal™ for metal shelves

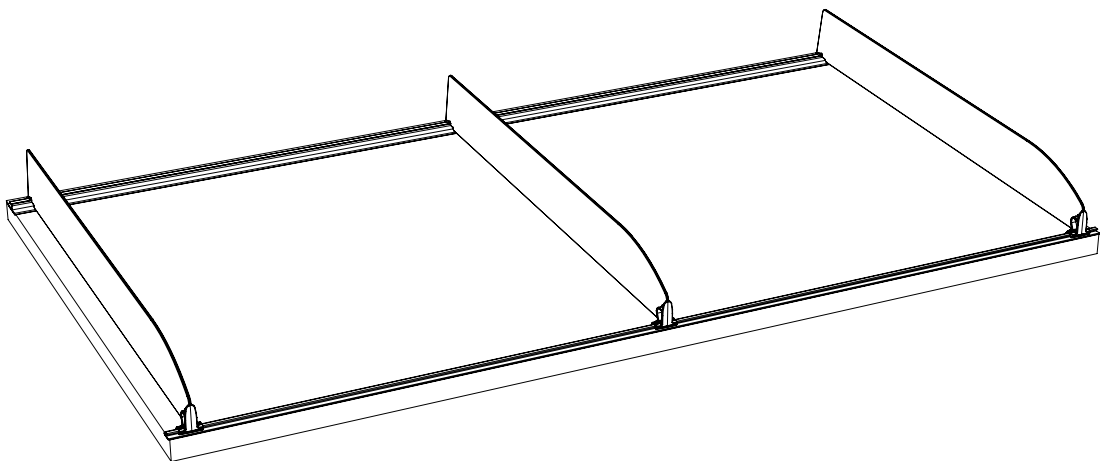
3

Place back rail without removing the protection film.
Attach back of the dividers, at least 3 dividers
spread on the shelf width, to the back rail.



4

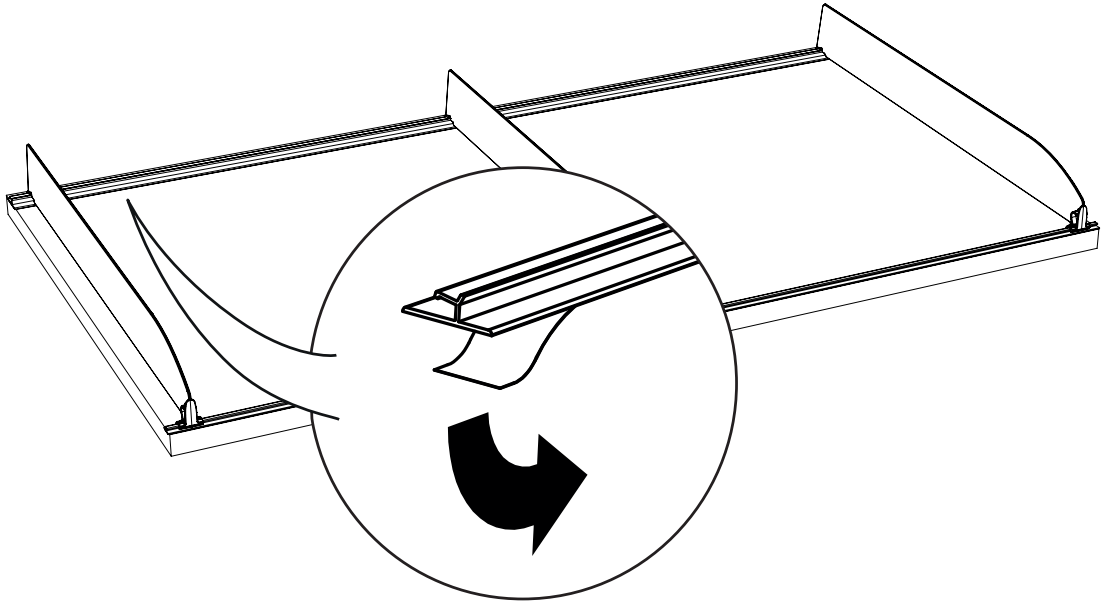
Attach and clip front of the dividers to the front rail.



Optimal™ for metal shelves

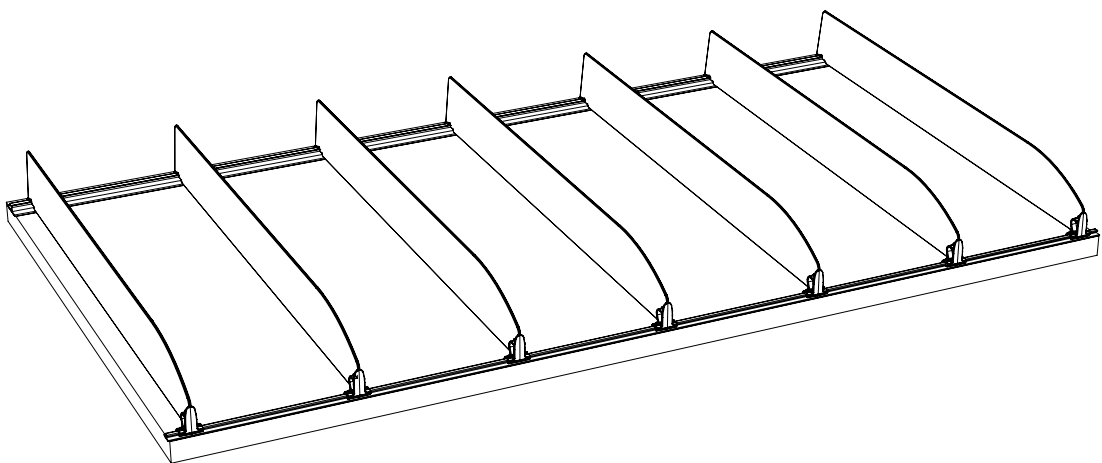
5

Make sure that the rear rail is in the right position. Remove the protection film from the rear rail, place it on the shelf and press firmly



6

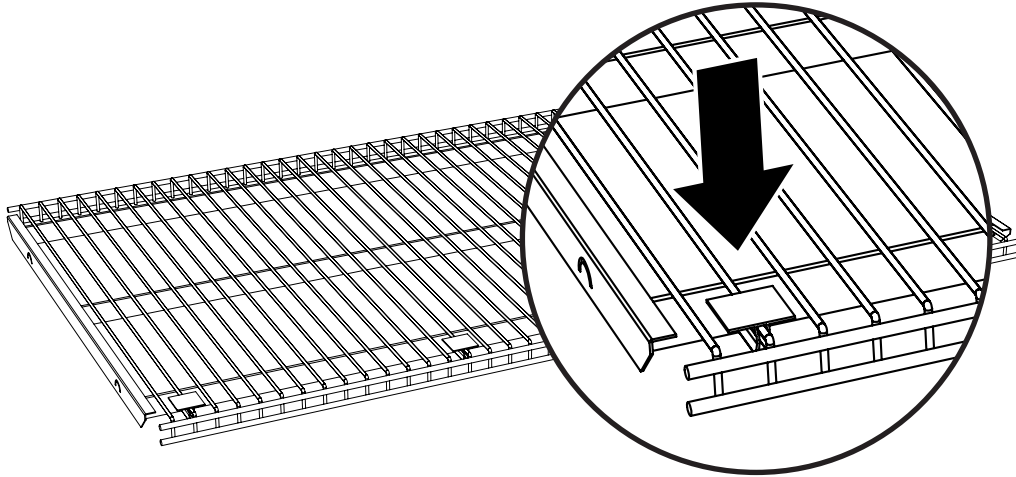
Mount rest of the dividers to fit remaining products.



Optimal™ for wire shelves, OPH and OBR with wire clip

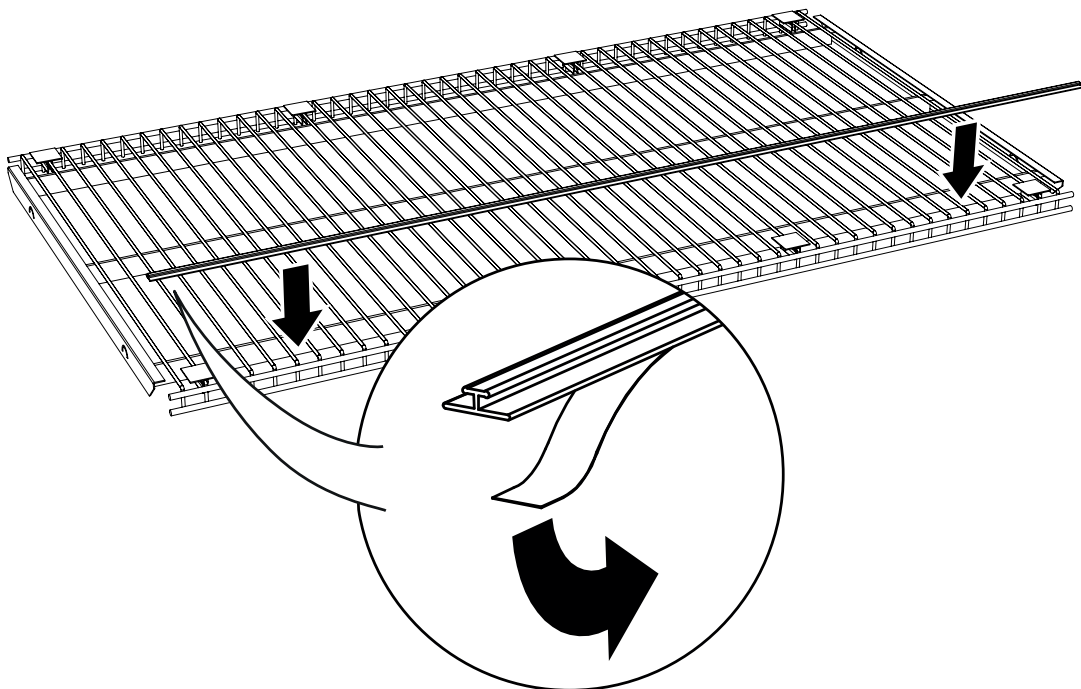
1

Press down the MU-CLIP (for 3mm wires) in the front and rear part of the wire shelf until you hear a click. Use at least three clips per shelf, with 15-20 cm intervals



2

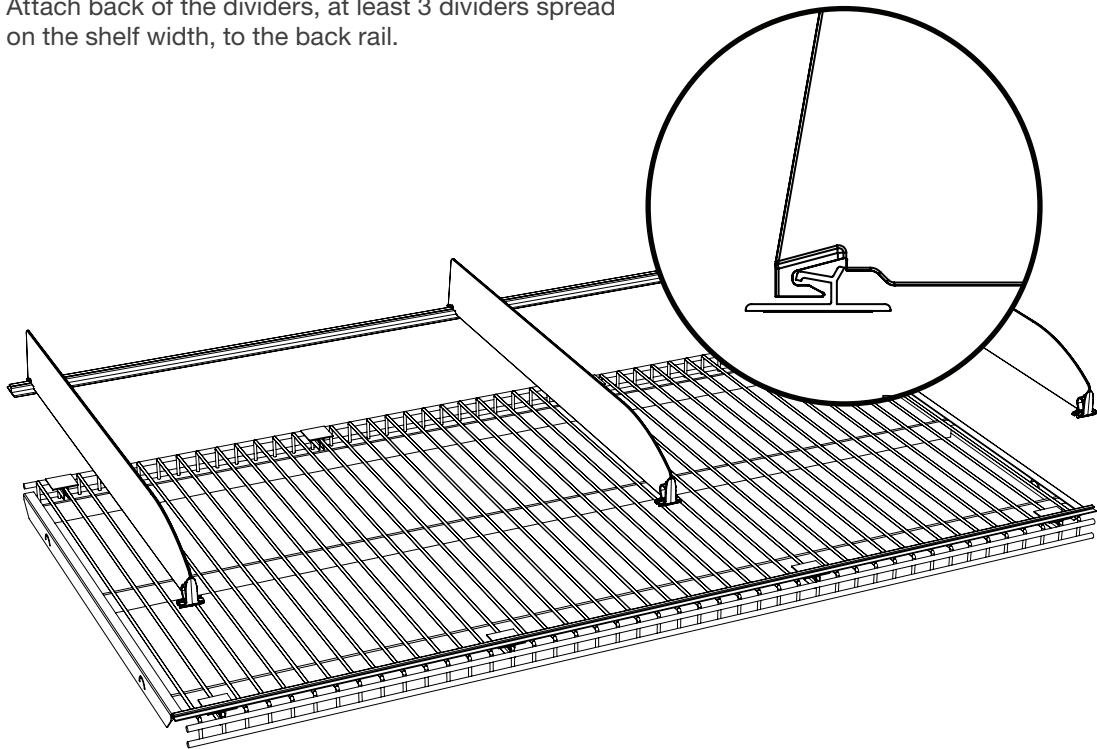
Remove the protection film from the rail, place it at the front of the shelf and press firmly



Optimal™ for wire shelves, OPH and OBR with wire clip

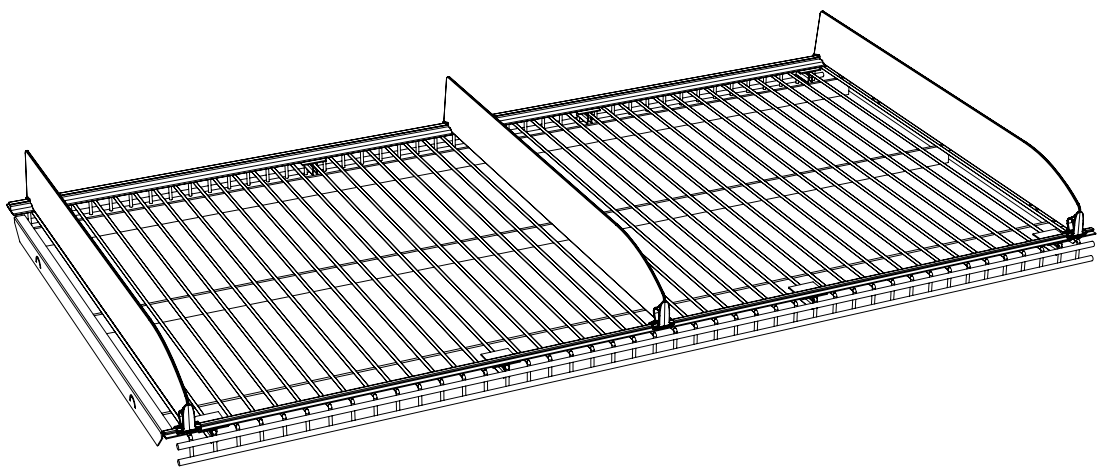
3

Place back rail without removing the protection film.
Attach back of the dividers, at least 3 dividers spread
on the shelf width, to the back rail.



4

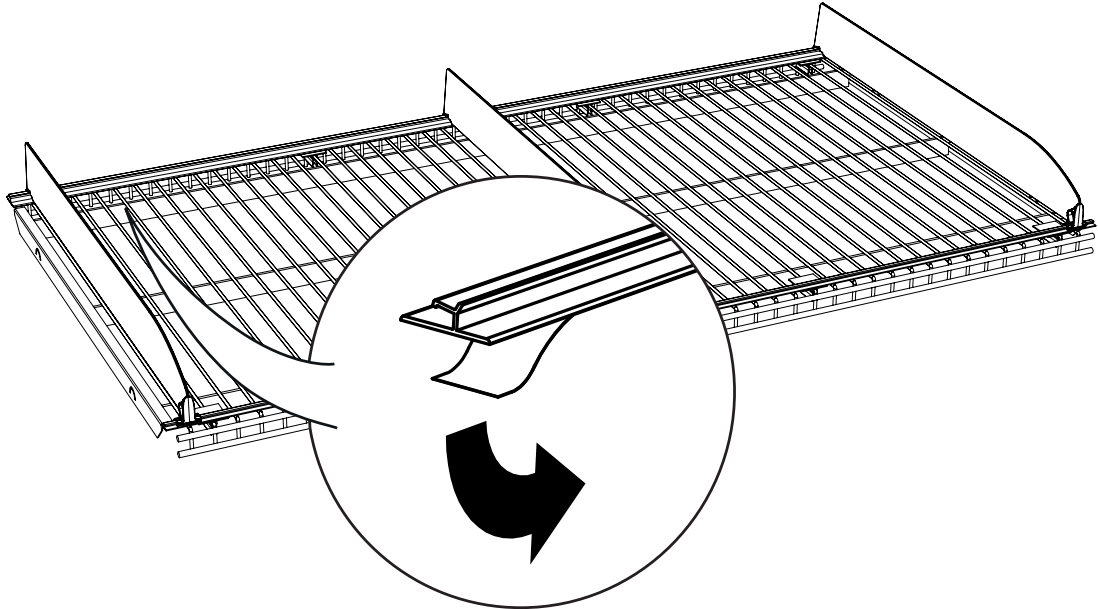
Attach and clip front of the dividers to the front rail.



Optimal™ for wire shelves, OPH and OBR with wire clip

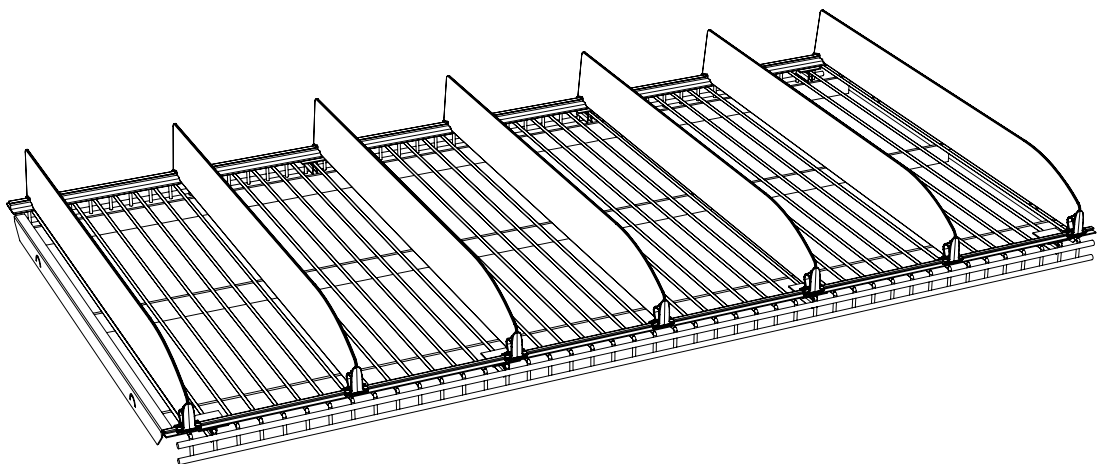
5

Make sure that the rear rail is in the right position. Remove the protection film and mount the rear rail on the shelf.



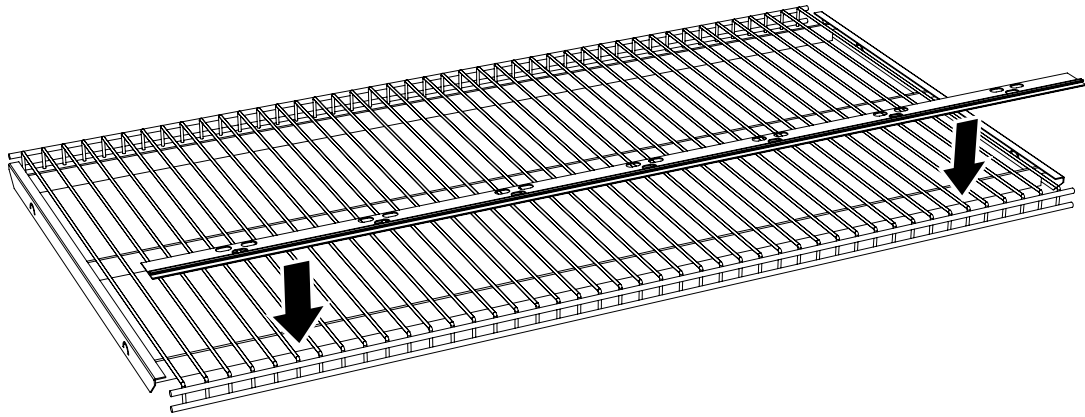
6

Mount rest of the dividers to fit remaining products.

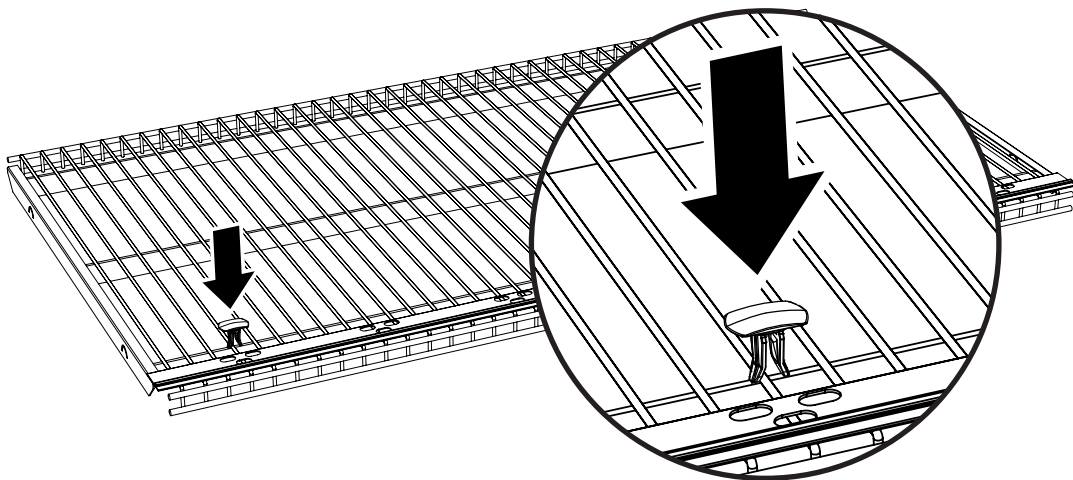


Optimal™ for wire shelves, OPH-OW3.0 and OBR+ OW3.0

1 Place front rail on shelf

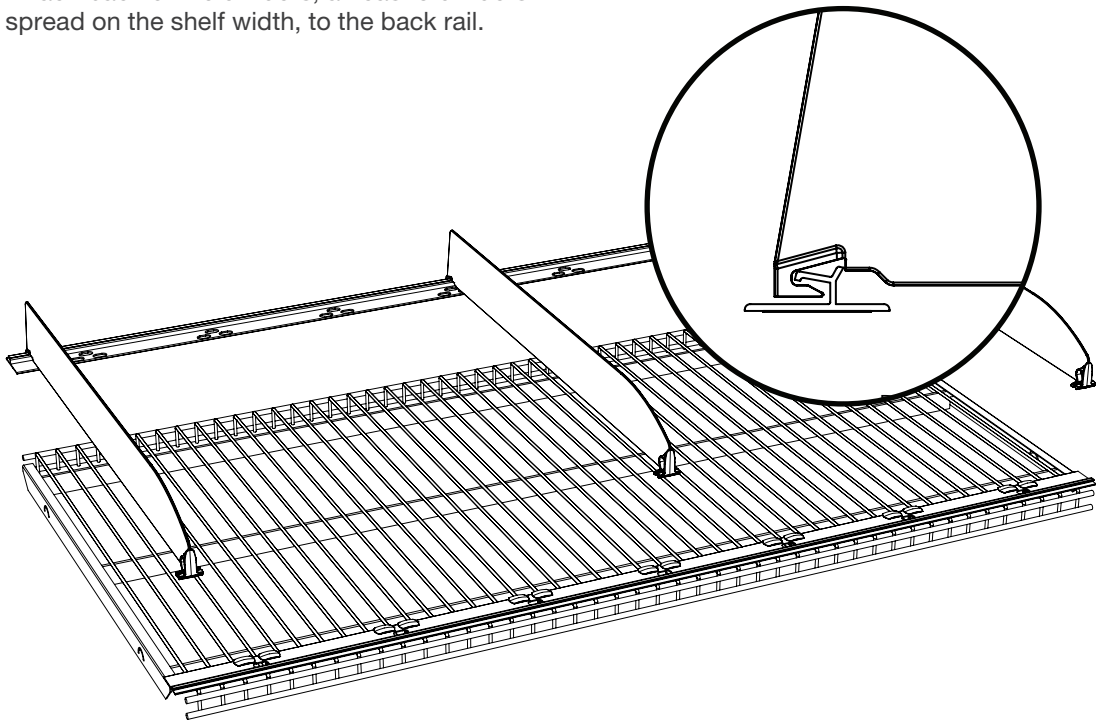


2 Snap clips in front rail

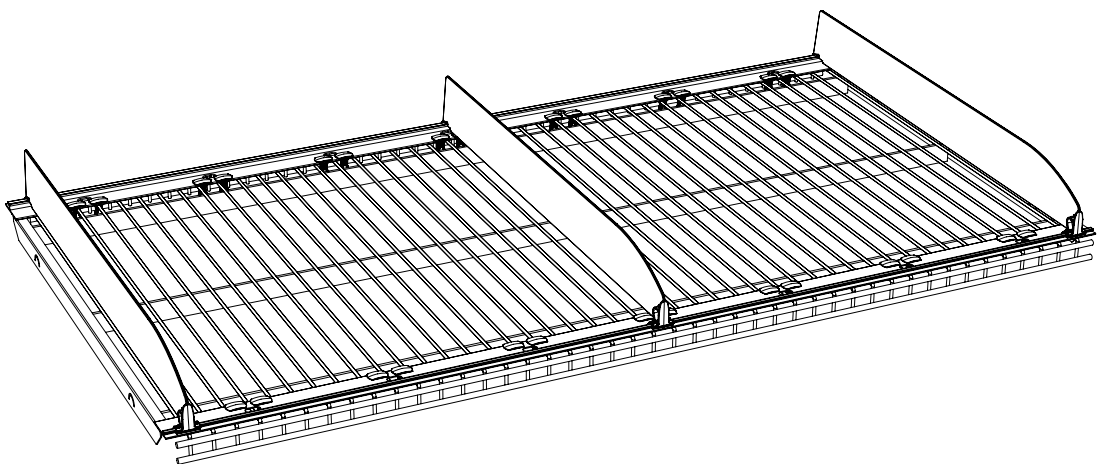


Optimal™ for wire shelves, OPH-OW3.0 and OBR+ OW3.0

- 3** Attach back of the dividers, at least 3 dividers spread on the shelf width, to the back rail.

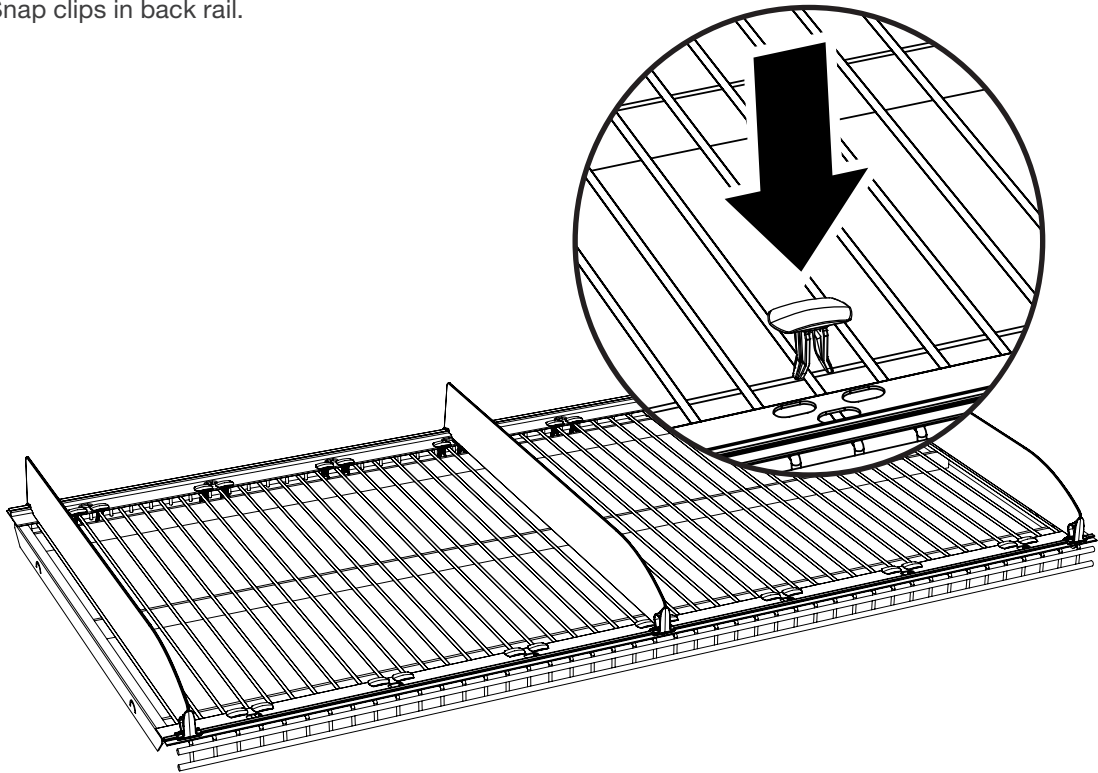


- 4** Attach and clip front of the dividers to the front rail.

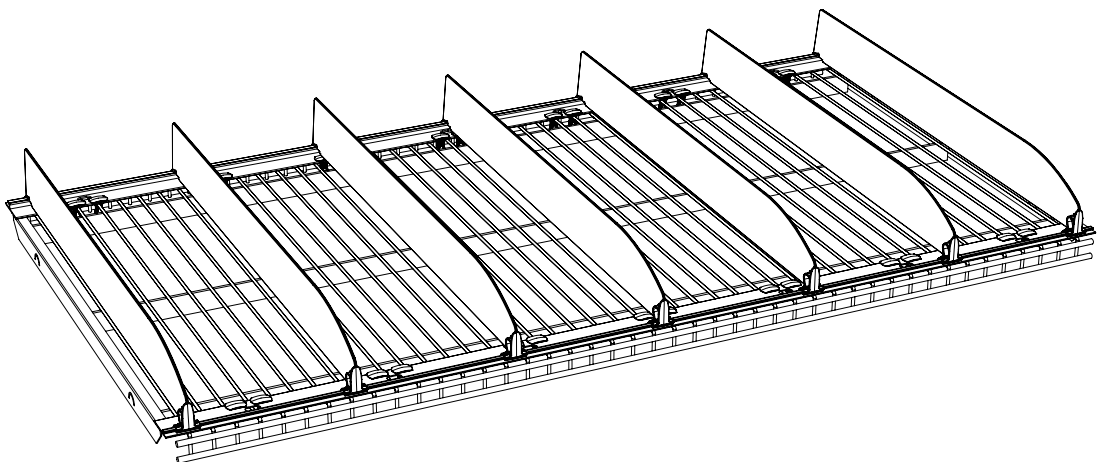


Optimal™ for wire shelves, OPH-OW3.0 and OBR+ OW3.0

- 5** Make sure that the rear rail is in the right position.
Snap clips in back rail.

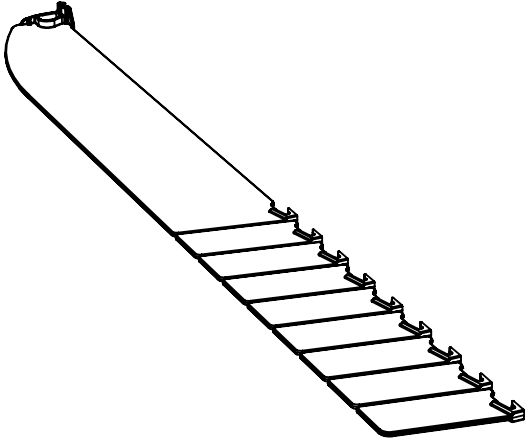


- 6** Mount rest of the dividers to fit remaining products.

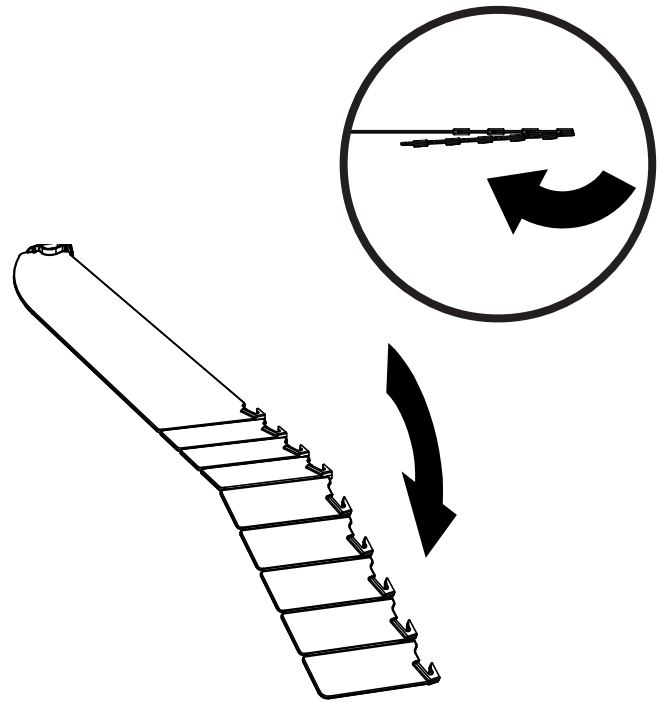


Optimal™ Breakable dividers

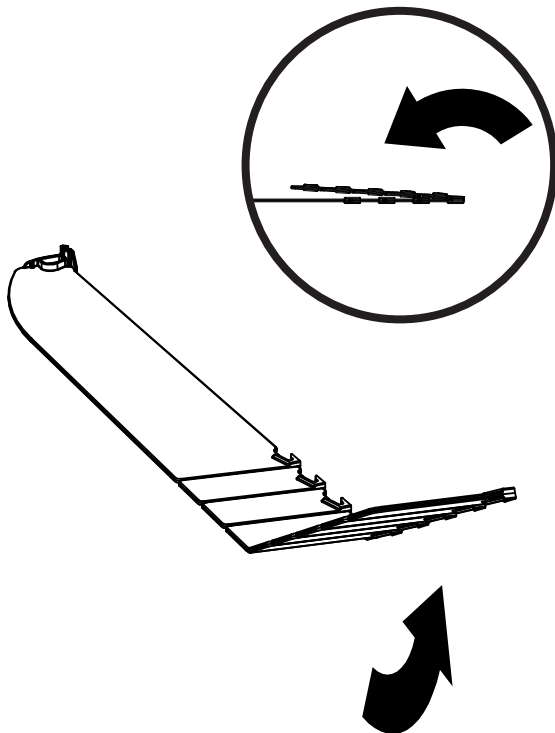
1 Breakable dividers can be shortened with 25mm distance in eight steps



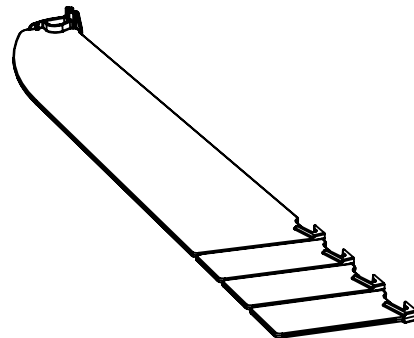
2 Break the divider by turning the rear part, one time at one direction...



3 ... and then one time to the other direction. The divider will snap off.

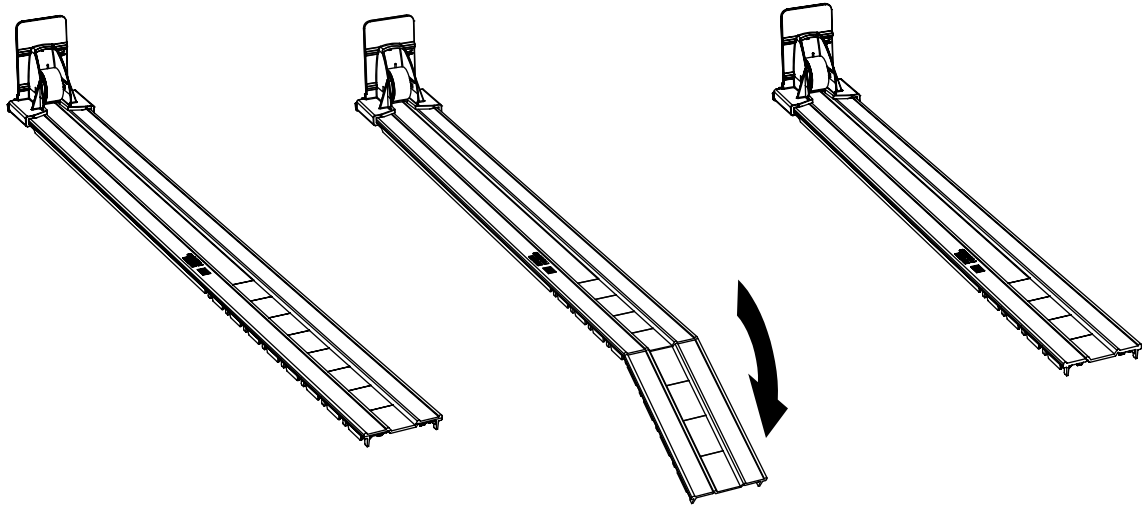


4 Recycle the leftovers as plastic (PET)

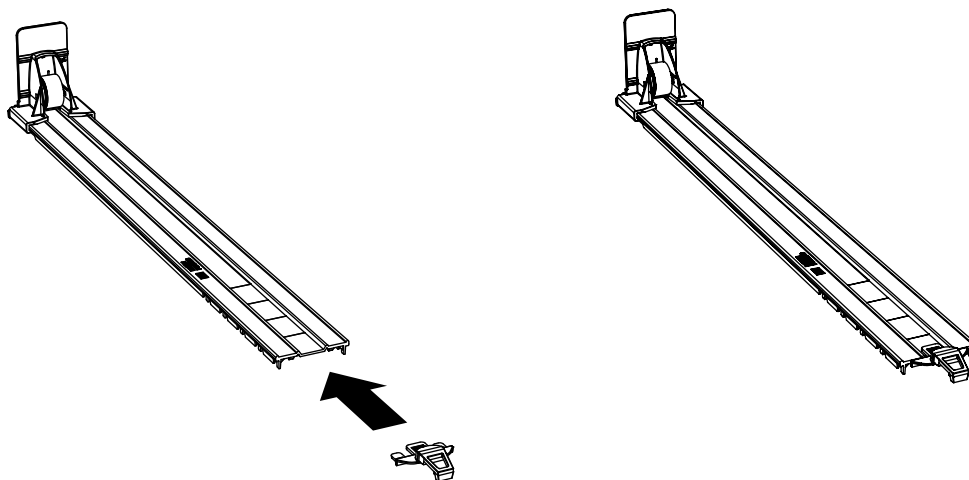


Optimal™ Pushers

- 1** Break the track to desired depth by turning the rear part 180 degrees, first at one direction and then to the other

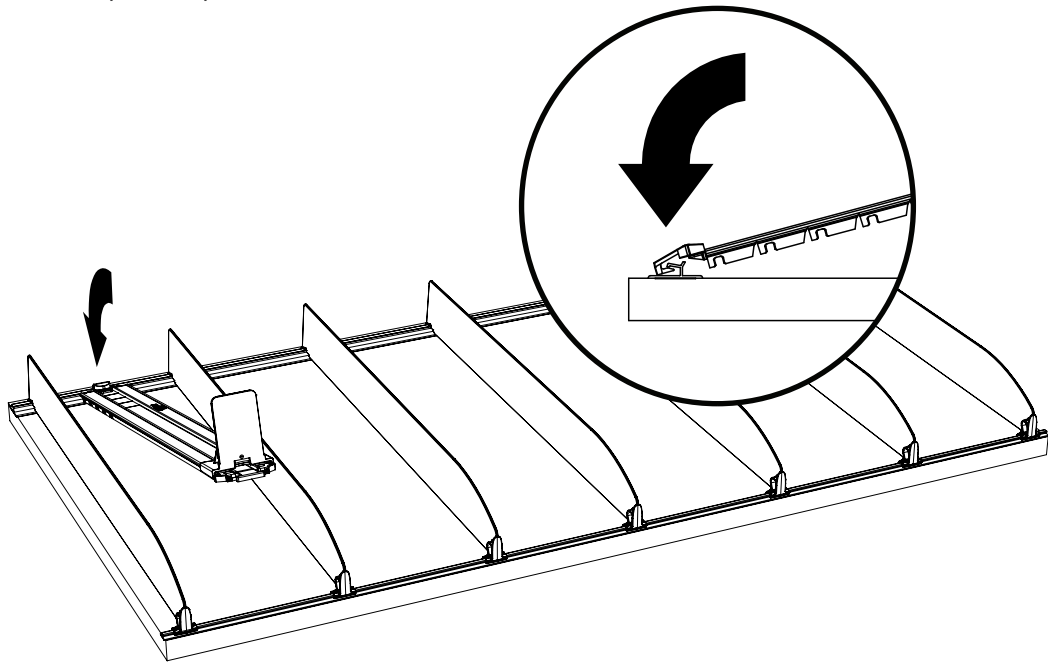


-
- 2** Mount the clip on the rear part of the track



Optimal™ Pushers

- 3** Place the pusher centered in between two dividers, attach back clip of the pusher on the back rail



- 4** Attach and clip front of the pusher to the front rail.

